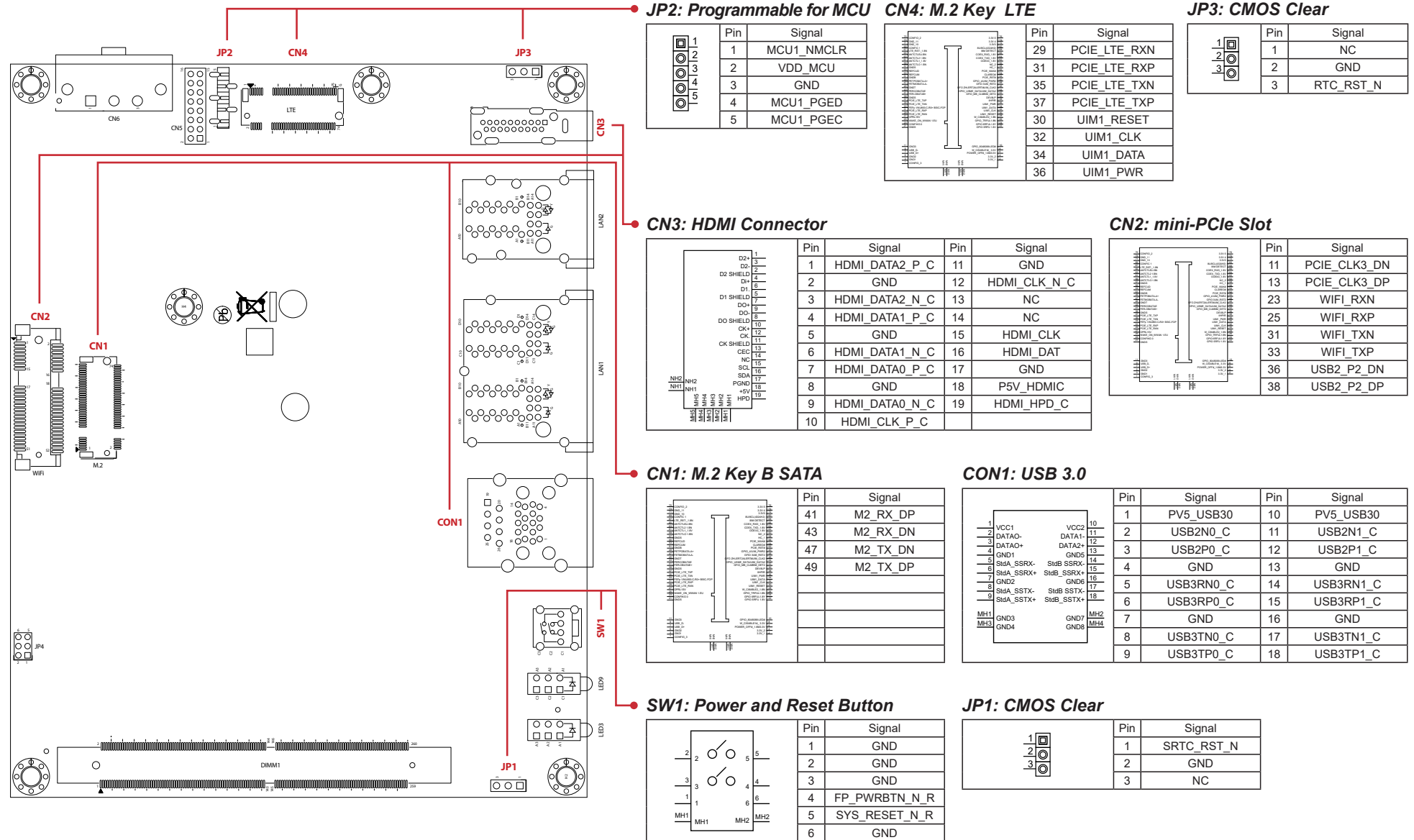
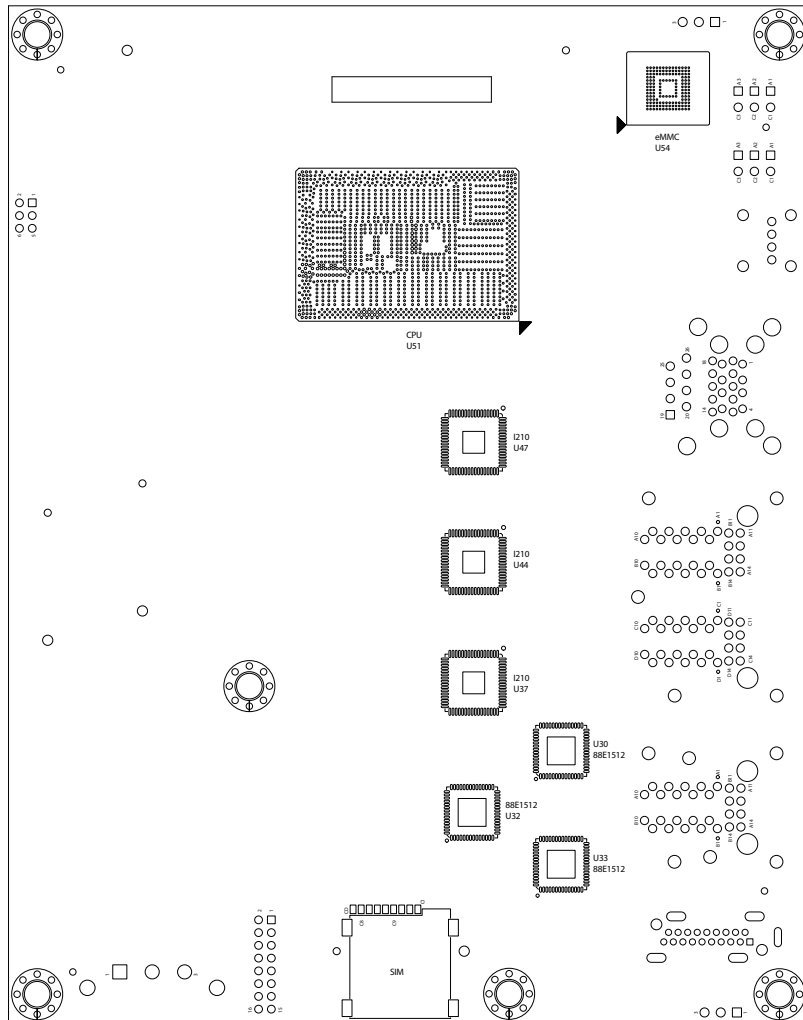


ISA140 Quick Reference Guide



ISA140 Quick Reference Guide



CN7

CN7: Micro SIM Connector

Pin	Signal	Pin	Signal
1	UIM1_VCC	6	UIM1_VPP
2	UIM1_RESET	7	UIM1_DATA
3	UIM1_CLK	8	NC
4	NC	9	SIM_DET
5	GND		