



The Intelligent Systems

Cyber **Smart**, Hyper Vision



2015 Intelligent Digital Security

- IP Camera Series
- NVR Hardware Platform

IDS

Intelligent Digital Security

IP Camera Series

NVR Hardware Platform

Corporate Information

About NEXCOM 004

Vertical Industry Applications

Train Intelligent Digital Security 012

Police Car Intelligent Digital Security 013

Highway Intelligent Digital Security 014

City Surveillance Intelligent Digital Security 015

Retail Intelligent Digital Security 016

Car Parking Intelligent Digital Security 017

New Product Highlights 018

Product Selection Guide 021

IP Camera Series

Outdoor Dome IP Camera Series

NCo 301-VHR 028

NCo-201-VHR 030

Indoor Dome IP Camera Series

NCi-301-V 032

NCi-311-R 034

NCi-311 036

NCi-312 038

NCi-211-R 040

NCi-211 042

NCi-212 044

BOX IP Camera Series

NCb-301 046

NCb-311 048

NCb-211 050

Bullet IP Camera Series

NCr-302-VHR 052

NCr-303-VHR 054

NCr-312-OVR 056

NCr-212-OVR 058



Mobile IP Camera Series

NCm-301-V	060
NCm-301-2V	062
NCm-201-V	064
NCm-201-2V	066

Traffic IP Camera Series

NCb-231	068
NCr-304-VHR	070
NCr-305-VHR	072

Ultra Low Ligher Series

NCb-221	074
NCi-221	076
NCo-221-VHR	078
NCr-221-VHR	080

Syskam

NCK-251	082
---------	-----

NVR Hardware Platform

Mobile NVR Platform Series

NViS 2280	084
NViS 2310	086
NViS 3542	088
NViS 3542P4/P8	090
NViS 3620	092
NViS 3720	094

Tower NVR Platform Series

NViS 5604-i5	096
NViS 5604-i7	098

Rack NVR Platform Series

NViS 6220	100
-----------	-----

Slim NVR Platform Series

NViS 1204	102
NViS 1208	104
NViS 1328	106

About NEXCOM

Reliable Partner for the Intelligent Systems

Founded in 1992 and headquartered in Taipei, Taiwan, NEXCOM is committed to being your trustworthy partner in building the intelligent systems. To surpass customers' expectations, NEXCOM makes the difference by utilizing its decades of industrial computing experience, a highly talented R&D team, and by providing exceptional levels of customer service. With these core strengths, NEXCOM has enabled its customers to win key projects in a diverse range of industries.

With its focus on delivering these core values to better serve customers, NEXCOM integrates its capabilities and operates six global businesses, which are Multi-Media Solutions (MMS), Mobile Computing Solutions (MCS), IoT Automation Solutions (IAS), Network and Communication Solutions (NCS), Intelligent Digital Security (IDS), and Medical and Healthcare Informatics

(MHI). This strategic deployment enables NEXCOM to offer time-to-market, time-to-solution products and service without compromising cost.

In addition, the service-to-market business model gives NEXCOM core competence to build a strong world-class service network by providing customized service, global logistics, local access, and real-time support. Operating six subsidiaries, from China, Italy, Japan, Taiwan, the United States, to the United Kingdom, NEXCOM is able to better facilitate customers' requirements as well as closely work with global partners in different regions.

Partners should also be assured that NEXCOM's Taiwan based Headquarters and subsidiary offices in China, UK and USA have obtained ISO 9001:2008 Certification.



IAS	<p>Automation: factory automation (FA), PPC & HMI, machine automation (MA), machine vision</p> <p>IoT: IoT gateway, industrial wireless solutions</p> <p>Intelligent System Services: embedded computer, single board computer, computer-on-module, POS, kiosk PPC, ODM/OEM services</p>
IDS	Intelligent Digital Security: IP Cam, NVR, mobile server platform
MCS	<p>Mobile Computing Solutions: rugged computer devices, rugged mobile computer</p> <p>Vehicle Telematics Computer: Car PC, train PC</p>
MMS	Multimedia Solutions: digital signage
MHI	Medical and Healthcare Informatics: total solutions with a variety of medical IT systems
NCS	Network and Communication Solutions : network security, VoIP, HPC, telecommunication, storage, switch, industrial firewall

Corporate Vision

To become the industrial leader in providing intelligent systems, NEXCOM utilizes its industry leading technology, localized customer support and worldwide logistics services. This will be achieved by:

- Great team work
- Cooperation with trusted partners
- Growth through innovation

Corporate Mission

- An innovative supplier in vertical application markets
- A quality partner in engineering, manufacturing and services

Business Strategy

Aim to better support the activities of all its partners, NEXCOM divides its sales force into six dedicated business units to target rapidly expanding vertical markets. This enhances each business unit concentrating on strategic channel accounts and on repeat order business. Moreover, NEXCOM's business units have been set up to serve the requirements of key project accounts, where product ODM and project support are frequently required.

NEXCOM is working with embedded computing solution providers to envision new opportunities for growth. We'll help you deliver reliable vertical solutions, optimized for the next wave of IoT and Industrial 4.0 applications.

Research and Development

Innovation, Quality, Speed and One-stop Service

Over a decade ago, NEXCOM successfully launched the PEAK series of Single Board Computers onto the IPC market, and in doing so, gained a solid reputation for product quality and innovation. In subsequent years, NEXCOM has enhanced its reputation for R&D excellence with a multitude of high-end technology products, which has cemented NEXCOM as one of the industry leaders for R&D and innovation.

The mission of NEXCOM R&D team is to design exceptional products that meet the stringent requirements of today's global markets. In order to achieve this goal, we have recruited hundreds of talented engineers who have the knowledge and expertise to make NEXCOM's products stand out in this highly competitive market.



In 2015, NEXCOM will expand our offerings with solutions for IoT gateway, robot controller, connected cars, Industry 4.0, and industrial security applications. The team is encouraged to "Think with New Ideas" and "Know how to make it and do it right first time". In addition, the size of NEXCOM's R&D team has been expanded to over 166 members and remains as one of core competences of the company.

Versatile Design Capabilities

- Fanless technology for industrial computer
- High availability network security platform, blade, and cPCI
- Rugged tablet computer and car PC

- Ultra small footprint computer-on-module
- High speed networking
- Isolated and non-isolated power system
- Isolated and non-isolated industrial I/O
- Wide range of operating temperature

24/7 Production Line

Optimal Manufacturing Efficiency

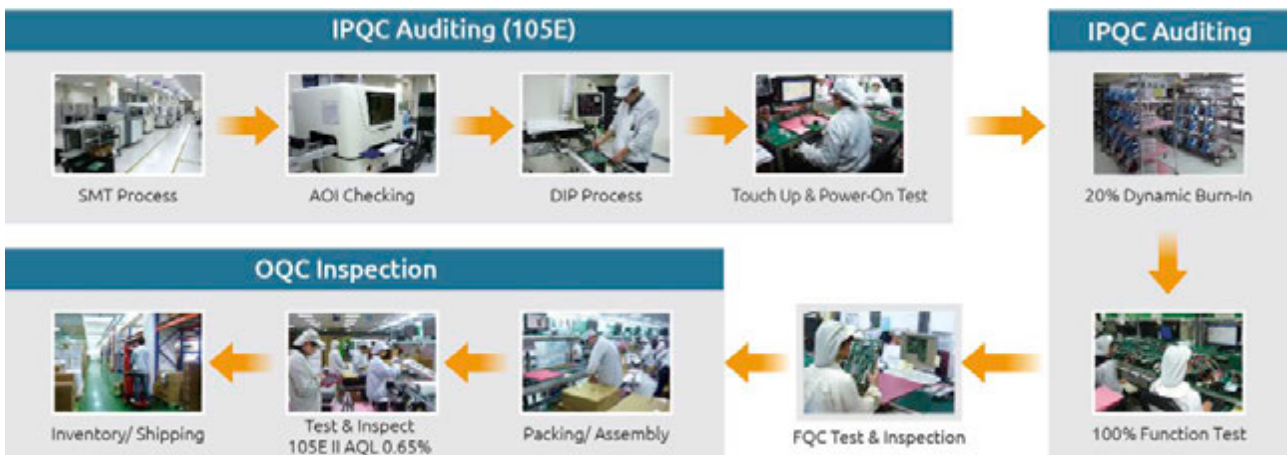
The manufacturing of delicate products requires a high-level technology, craftsmanship, standards and time-to-market efficiency. Over years continual investment in advanced manufacturing equipment and systemic training programs has enabled NEXCOM to obtain optimal manufacturing efficiency.

To fulfill the increasing market demand for NEXCOM's products, the company has opened a 24/7 production line. This investment not only furthers the quality of products, but also reduces production lead-time for all global customers.



Quality Assurance

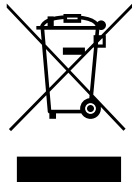
Under a strict Quality Assurance System, product design and reliability are controlled to support all critical solutions, and ensure Total Quality Assurance (TQA) implementation for all NEXCOM products and service. Furthermore, NEXCOM technical support team aims to provide feedback within 24 hours to ensure technical issues are resolved in the shortest possible time.



Closed-Loop Quality Assurance System

Green Policy

As a global citizen, NEXCOM is committed to providing green products and services, which are compliant with WEEE and RoHS legislation. NEXCOM continues to proactively work with industry peers and suppliers, to clarify standards, and identify compatible technologies and practices that help reduce hazardous substances from our products and manufacturing processes.



NEXCOM has invested heavily to establish operational infrastructures, including advanced equipment and facilities, not only at its global headquarters but also at subsidiary offices. Today, each of our service centers, with ISO 9001:2008 certification, has a purpose built assembly line, RMA/DOA center and warehouse storage capability.

Global Fulfillment Service

Product delivery and customer support are always more effective when delivered locally. NEXCOM localizes support and provides a global customer service network to handle all aspects of global business, from presales, order taking, and system assembly to logistics. For expeditious product delivery, NEXCOM has established four regional service centers: Taiwan (for Asia), USA (for North America and South America), the United Kingdom (for Europe) and China. Therefore, NEXCOM customers benefit from quality assured product assembly and four service centers.



NEXCOM Global Service Network

Assembly Line Operation

NEXCOM offers custom-built products based on customers' specific requirements through the build-to-order services. A dedicated 24/7 assembly line and Quality Assurance System are installed in the services center to ensure exceptional production efficiency and superb product performance and reliability.



Service Pledge and Connection

As a reliable intelligent systems provider for vertical markets, NEXCOM provides the very best products and the most expeditious service to help customers build the digital infrastructure. Comprehensive types of service are provided to promptly satisfy varying requirements. In addition to the headquarters in Taiwan, seven subsidiaries and distributors in strategic worldwide locations are at your service.



Service Types



Quotation



Project Consultant



Technical Support



Solution Alliance



RMA/DOA



Assembly/ Test



Global Logistics



Customization



ODM
Original Design
Manufacturing

Your Truly Global Information Resource

www.nexcom.com

www.nexcom.com is your one-stop platform for the latest information on all NEXCOM products and services. The rejuvenated website not only contains product relevant information and data, solutions/ products demo, up-to-date news, but incorporates online downloads, publications, and technical service supports, such as RMA/ DOA centre. Furthermore to localize service and support, seven NEXCOM sister websites remain to serve visitors in diverse geographical regions.



Get the Latest Updates Anytime, Anywhere

m.nexcom.com

At the end of the year 2011, NEXCOM launches its mobile site, m.nexcom.com. The site aims to cross time and space boundaries by allowing users to access the latest innovation and information of NEXCOM via smartphones. On this website, users will easily find our latest products, news, application stories, white papers, and videos. The mobile site now supports iOS and Android system. Please visit us at m.nexcom.com.

Design and Manufacturing Services (DMS)

Customized Service for Tailor-Made Solutions

NEXCOM provides cost-effective and time-to-market Design and Manufacturing Services (DMS). The DMS offers product customization from core modular designs to finished products based on customers' specifications in all kinds of industrial field. The levels of the service include manufacturing new CPU boards and system based products to fulfill customers' unique applications.

Unique DMS Features

With vast experience, the know-how, leading technology and innovative design capabilities, NEXCOM DMS incorporates the following features:

Prompt Time-to-Market



NEXCOM possesses a dedicated project management team to monitor and ensure each DMS project is delivered on schedule. Thus, a quick time-to-market solution can be offered with time-scales varying from one-three months for the design phase, with an average six month period from design to market.

Flexible Design and Manufacturing



NEXCOM possesses a complete R&D team to design and engineer the latest industrial grade products. As R&D engineers grouped into small cross-functional teams, they can develop more reliable products with flexible designs and quicker response to customers' requirements. In addition to our R&D capabilities, the state of art manufacturing facility and production lines enables NEXCOM to offer a flexible manufacturing with highly skilled factory staff.

Rigid Quality Control



NEXCOM is pledged to deliver high quality products, from design to manufacture, and safeguard against defective products by implementing a rigid Quality Assurance System. In this system, at the end of each process, NEXCOM performs various tests to ensure that the product passes the industrial standard before it enters into next stage. Finally, additional tests are performed to ensure all board and system level products function correctly. Tests include "Failure Mode and Effects Analysis", "Vibration Test", "Burn-in Chambers", "Drop Test", and "AC Power Source Test".

Extensive DMS Experience



We set higher standards! NEXCOM surpasses your tailor-made product requirements with extensive DMS experiences. We are specialized in X86 architecture and have accumulated invaluable experience and know-how in real working environments. Moreover, with a superb reputation, NEXCOM has under its belt many ODM projects in diverse fields, such as gaming, medical, POS, network security, transportation, marine, blade servers, and Linux BIOS etc.

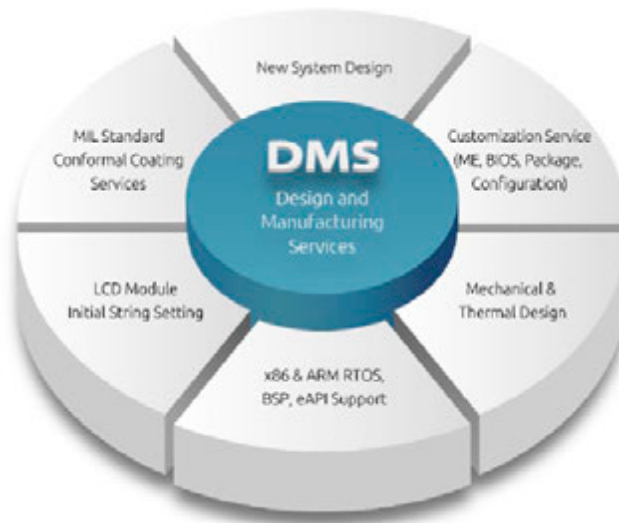
Scope of DMS Work

■ Original Design Manufacturing Service (ODMS)

NEXCOM offers a complete ODM Service starting from the brand new product design right through to the finished product. We can design products based on the customer's unique specifications and application requirements.

■ Customization to Order Service (CTOS)

NEXCOM also provides CTOS, which is a quick-to-market solution by modifying the existing products to fit your business requirements, such as BIOS setting, component change by using current PCM layout, chassis color change, and packing accessories etc.



Service of DMS

With decades of industrial computing experience, NEXCOM has the capability to provide different levels of customized service to manufacture innovative products with exceptional high quality. We can assist you to differentiate from competitors, and save significant time and efforts.

Level 1	Logo Re-brand	We provide the service to change the membrane to re-brand the company logo on the front panel. Customers need to provide Membrane drawing with all color pantone number. There is a service charge involved.
Level 2	Customerized Build	Customers can change the membrane and chassis color to re-brand the packing. NEXCOM can offer dedicated part numbers and BOM. MOQ and service charge are required.
Level 3	Manufacturing Service	Contract manufacturing. The service scope includes system assembly & burn-in, software loading & testing. MOQ and manufacturing service charge are required.
Level 4	New Project	The design of new board & system is available. NRE and quantity commitment are required.

Professional Conformal Coating Solution

Get Ruggedized with NEXCOM Cost-Effective Conformal Coating Service for Harsh Environment Protection

Prompt Time-to-Market

NEXCOM recognizes the harsh reality that many embedded systems find themselves operating in unusual hostile environments. When conformal coating is required to protect your application against substantial humidity, dust, chemicals or temperature extremes, we can help!

Cost Effective Service to Apply Coating Solution in Vertical Market Segments

In addition to the usual military and harsh industrial environments that demand conformal coating, NEXCOM expand our conformal coating to Vehicle Telematics Computing, outdoor traffic control/surveillance, and off-shore Marine applications. These applications demand embedded computing performance with increased reliability through conformal coating process.

To support a wide range of applications in vertical markets, NEXCOM has engineered a diverse range of platforms, which incorporate the latest.

"State of the Art" Conformal Coating Line

NEXCOM uses automated Conformal Coater equipment for applications that require a high level of accuracy and repeatability in moderate to high volume manufacturing environments. "State of the Art" coating line is a closed-loop robotic platform featuring optical encoder feedback on all axes.

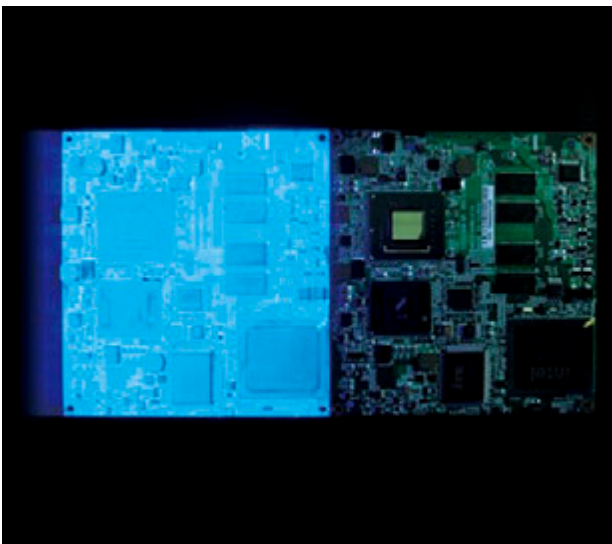
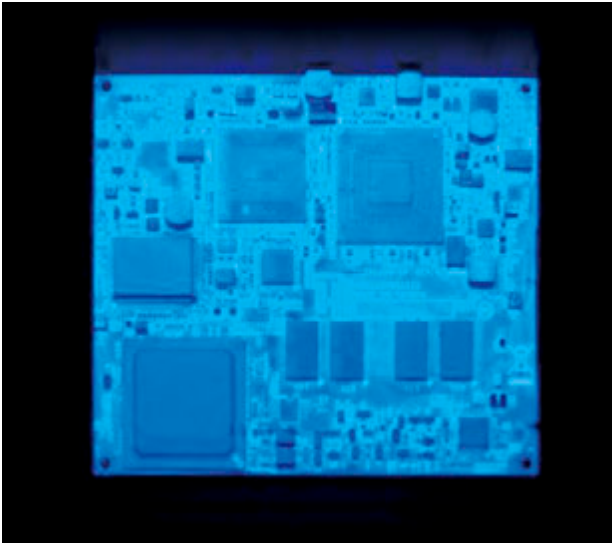
Smart Masking Technology

Our smart masking technology can pin point specific area on the PCBA for coating. The green, programmable conformal coater equipment allow user to only coat the area selected, which save labor/ material costs.



De-Flux Cleaning

To prepare a PCB for conformal coating, the circuits need to be cleaned. NEXCOM uses automatic defluxing and cleanliness testing systems. The deflux system is equipped with an automatic chemical management system that automatically doses and mixes defluxing chemicals at the turn of a keyed switch.



Real Time Cleanliness Testing

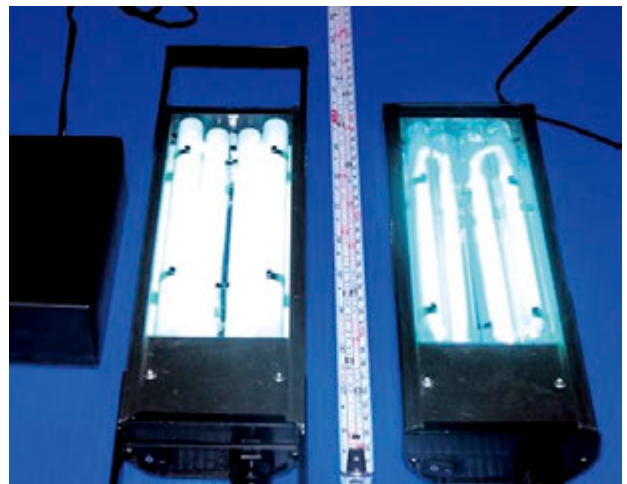
NEXCOM's deflux cleaning system is also equipped with an onboard cleanliness testing system which allows a user to program a desired cleanliness level. This assures that cleanliness levels will be consistent batch after batch.

De-Coating RMA Service

NEXCOM offer De-Coating RMA service upon request. This new service allows you to further cost down and generate higher ROI.

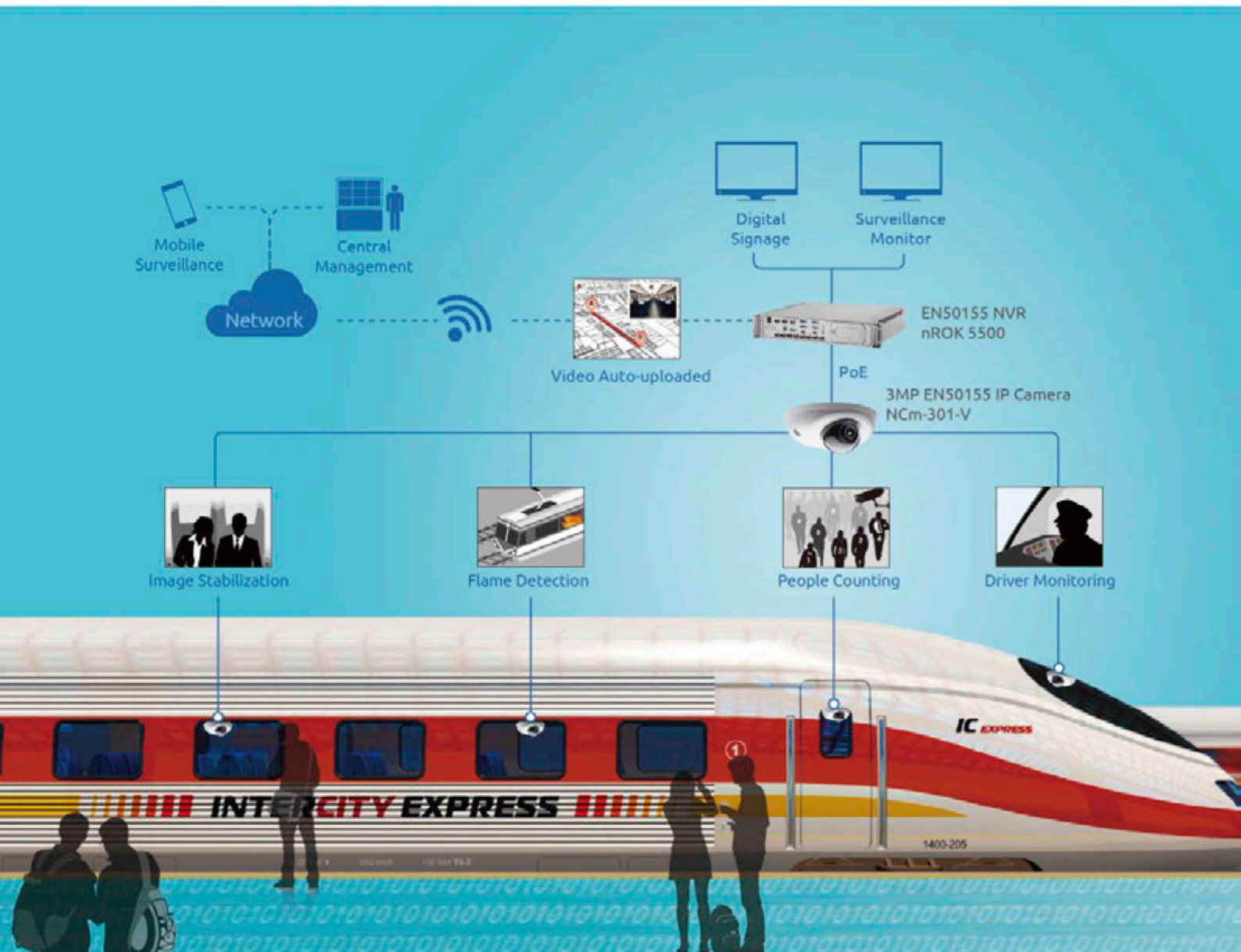
Quality Assurance Policy and Consistency Guarantee

Conformal coating inspection is a critical factor in determining successful coating application and long term reliability of PCBs. Using the IPC standards allows the coating operator to monitor the coating application performance. NEXCOM offers 100% manual screening by examining the PCB under white and UVA light and Thickness Gauge.



NEXCOM follows IPC-A 610, IPC-CC-830, IPC J-STD-001E regulations to generate consistent, adjustable coating thickness and cleanliness.

Train Intelligent Digital Security



System Features

Megapixel IP Surveillance System

NCm series mobile IP cameras are up to 3MP@ 20fps with image stabilization feature.

Train Dedicated NVR Platform

nROK 5500 series NVR platforms are dedicated designs for vehicle applications, solid and reliable.

Video Auto-Uploaded

Auto-uploaded the surveillance video / information upon arrival the station.

Alarm Management & Escalation

When incident happens, the immediate alarm/information can be transmitted to authorities/security center for the quickest response.

Driver Monitoring

When the unusual happens in the cockpit, it will trigger the system right away and the precautions will be done by the related authorities.

Certifications

CE, FCC, EN50155

Police Car Intelligent Digital Security



System Features

Megapixel IP Surveillance System

NCm series mobile IP cameras are up to 3MP@ 20fps with image stabilization feature.

License Plate Recognition

The technology helps to identify the car plate and match the information to the database, which has a wide number of applications including traffic enforcement, access control, stolen car identification, and vehicle tracking.

Vehicle Dedicated NVR Platform

NViS 3542P4/P8 NVR platforms are all dedicated designs for Vehicle application, solid & reliable.

Video Auto-uploaded

Auto-upload the surveillance video / information upon the round patrol finished.

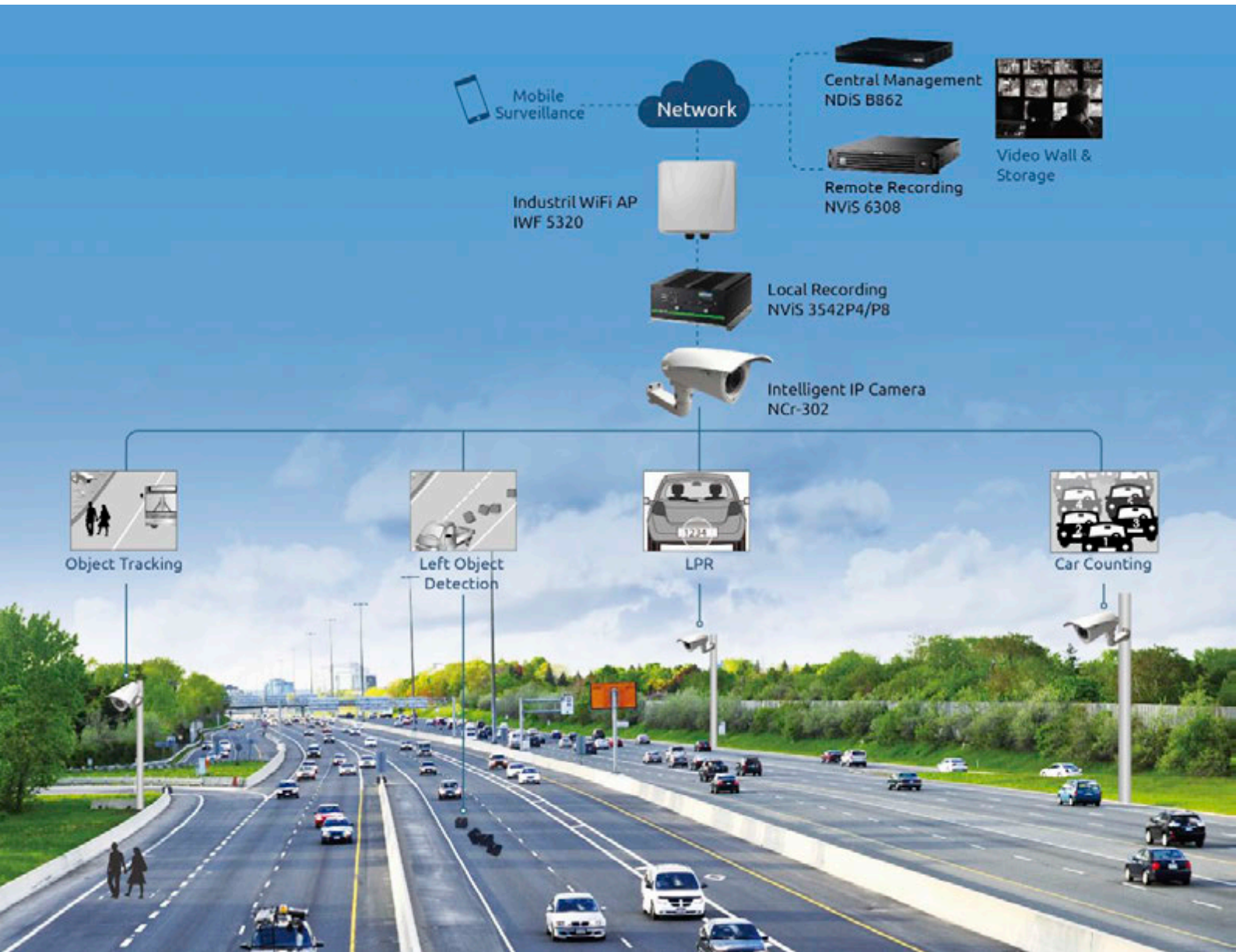
Backseat Monitoring

When the unusual happens in the backseat, it will trigger the system right away and the precautions will be done by the related authorities.

Certifications

CE, FCC, E13

Highway Intelligent Digital Security



System Features

Megapixel IP Surveillance System

NCr series IP cameras are up to 3MP@30fps 2MP/1080P with Smart-IR which can capture clear image without over exposure.

Local Recording NVR Platform

NVIS 3542P4/P8 equip with 3rd Generation Intel® Core™ i7 CPU with 2x 2.5" SATA HDDs.

License Plate Recognition

NEXCOM offer the ready-to-go system for adding License Plate Recognition algorithms.

Object Tracking

Tracking the moving object which is not supposed to be appeared in the area and trigger the alarm.

Left Object Detection

Detecting the static object which is not supposed to be appeared in the area and trigger the alarm.

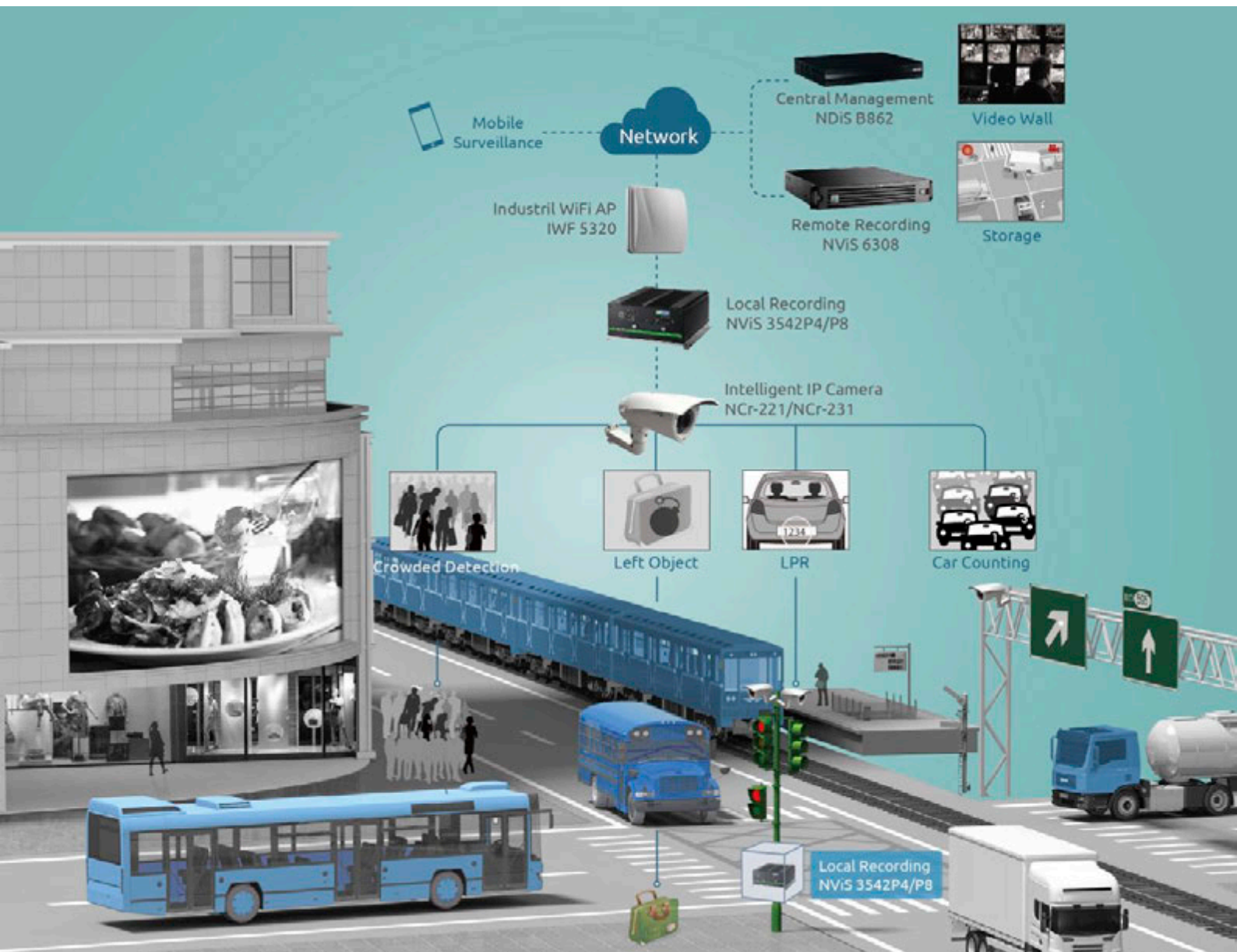
Car Counting

Counting the numbers of vehicle which passing by the entrance & the exit of the parking lot.

Certifications

CE, FCC, E13

City Surveillance Intelligent Digital Security



System Features

Megapixel IP Surveillance System

NCr series IP cameras are up to 2MP@ 30fps with special features which is perfectly for city surveillance. NCr-221 is the ultra-low light IP camera, and NCr-231 is the LPR IP camera.

Crowd Detection

To detect the unusual large assembly and capture the image in case there's anything unexpected happen.

Left Object

Automatically find the left object and detect if it's the explosive.

LPR

License plate recognition to help the law enforcement identifying the license plates with records.

Car Counting

To count the quantity of the vehicles and transfer the information back the CMS for data analytics.

Central Management Appliance

With 4~6 multiple monitors output for central management video wall application.

NVR for Local & Remote

Industrial grade hardware platform for wide range temperature supported and large capacity video storage.

Certifications

CE, FCC, E13

Retail Intelligent Digital Security



System Features

Megapixel IP Surveillance System

NCi-312 is designed for in-ceiling recessed mount, easy installation and invisible.

Digital Signage Supported

NDiS 127 / B322 are able to play rich multimedia contents, and output dual 1080p videos.

POS Integrated

NPT 5852 stylish zero bezel design makes it easy for POS Terminal to fit the modern store designs.

3Megapixel IP Surveillance System

NexCam full range IP cameras are 3MP resolution 2048*1536 @ 30/20fps.

True WDR 100dB Clear Image

NexCam perform 100db Wide Dynamic Range for clear & sharp image.

Versatile IP Cameras

NexCam include Indoor Dome, Outdoor Dome, Bullet type, Box type, with Varifocal / Fixed Lens.

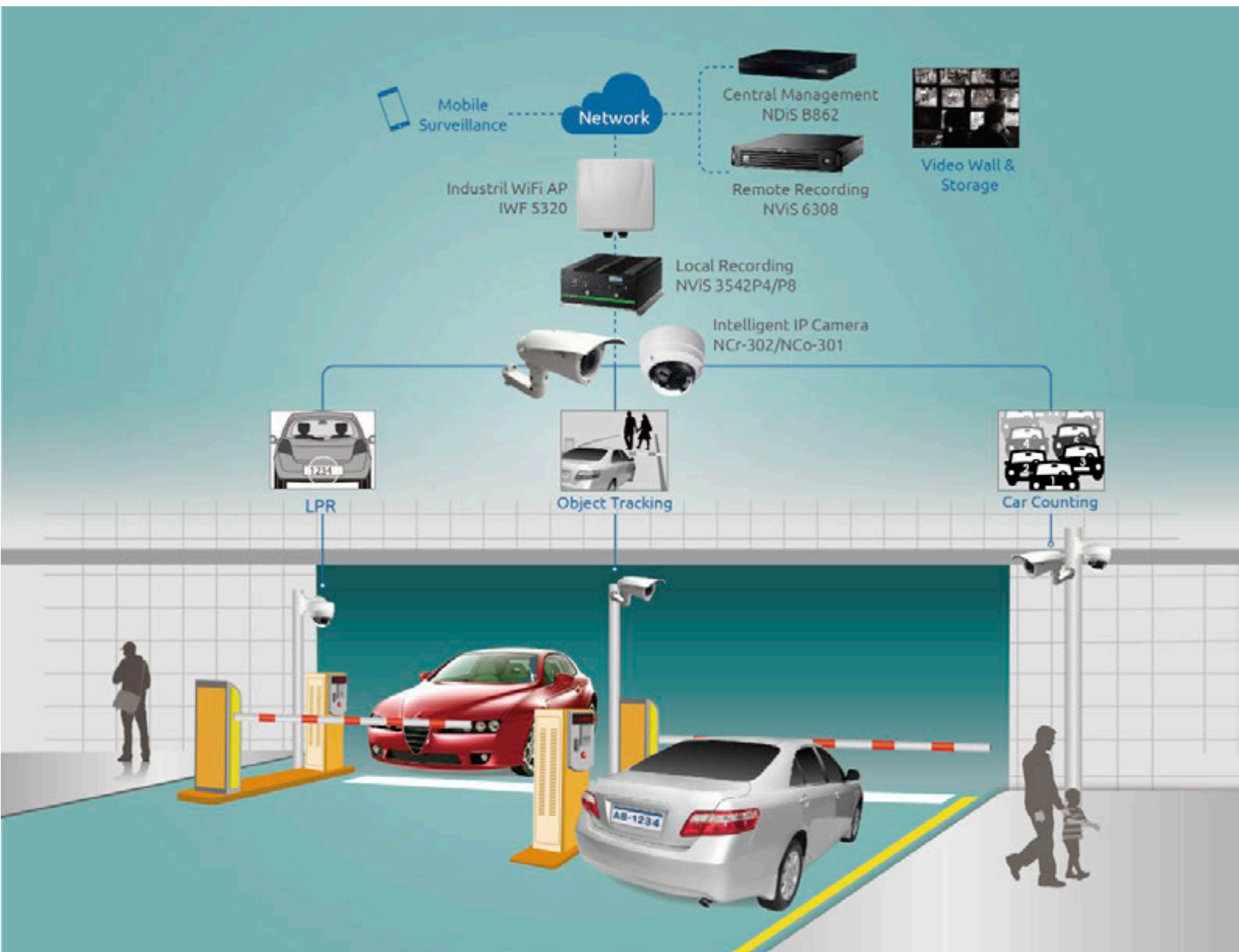
Industrial Grade NVR Platform

NexNVR full range hardware platforms are all industrial grade designs, solid and reliable.

Certifications

CE, FCC

Car Parking Intelligent Digital Security



System Features

Megapixel IP Surveillance System

NCo & NCr series IP cameras are up to 3MP@30fps with Smart-IR which can capture clear image without over exposure.

Local Recording NVR Platform

NVIS 3542P4/P8 equip with 3rd Generation Intel® Core™ i7 CPU with 2x 2.5" SATA HDDs.

License Plate Recognition

NEXCOM offer the ready-to-go system for adding License Plate Recognition algorithms.

Object Tracking

Tracking the objects which is not supposed to be appeared in the area and trigger the alarm.

Car Counting

To count the quantity of the vehicles and transfer the information back the CMS for data analytics.

Certifications

CE, FCC, E13

2015 New Products

NCr-221-VHR

2MP Ultra Low-light Outdoor IR Bullet Camera with Smart IR, Motorized Lens, P-Iris, DWDR, IK10

- Ultra-low light 1/1.9" CMOS image sensor
- Full HD1080P @30fps
- Micro SD card slot
- Support -20°C ~ 60°C/-4°F ~ 140°F
- P-Iris, IK10, IP66 & IP67



NCK-251

2MP System Camera, 1/2.7" Image Sensor, 2.5" SSD/HDD

- X86 open platform
- Full HD1080P @30fps
- 2.5" SSD/HDD supported
- Support -20°C ~ 60°C/-4°F ~ 140°F
- Lens optional



NViS 2310

Mobile NVR Surveillance Fanless System with Intel® Atom™ E3845

- Intel® Atom™ processor quad core E3845, 1.91GHz
- Three SIM cards + dual WWAN modules support
- Built-in U-blox UBX-G6010 GPS, optional Dead Reckoning support
- Built-in CAN Bus 2.0B. Optional OBDII function (SAE J1939/J1708)
- Wake on RTC/SMS via WWAN module
- Compliant with MIL-STD-810G
- 4 x mini-PCIe sockets expansion
- Programmable 8 x GPIO
- Voice communication via WWAN module

NViS 3620

Mobile NVR Surveillance Fanless System with Intel® Core™ i5-4300U

- Intel® Core™ processor dual core i5-4300U
- Three SIM cards + dual WWAN modules support
- Dual externally accessible SATA 3.0 SSD/HDD
- Built-in U-blox UBX-G6010 GPS, optional Dead Reckoning support
- Built-in CAN 2.0B. Optional OBDII function (SAE J1939/J1708)
- Wake on RTC/SMS via WWAN module
- Voice communication via WWAN module
- Compliant with MIL-STD-810G
- 4 x mini-PCIe socket rich expansion capability





NCb-231

2MP LPR Box Camera, 2/3" Image Sensor, Global Shutter

- LPR box camera
- Full HD1080P @30fps
- 2/3" Image sensor
- Global shutter
- Support -20°C ~ 60°C / -4°F ~ 140°F
- Lens optional

NCb-221

2MP Ultra Low-light Box Camera, CS Mount, DWDR, Lens Optional

- Ultra-low light box camera
- Full HD1080P @30fps
- Micro SD card slot
- Support -20°C ~ 60°C / -4°F ~ 140°F
- Lens optional



NCi-221

2MP Indoor Compact Designed Dome, Vari-focal Lens, DWDR

- Full HD 1080P @30fps
- Varifocal lens 3-9mm, F1.2
- Digital WDR
- Compact design
- Support 0°C ~ 60°C / 32°F ~ 140°F



NCo-221-VHR

2MP Ultra Low-light Outdoor IR Vandal Dome with Smart IR, Motorized Lens, P-Iris, DWDR, IK10

- Ultra-low light 1/2" CMOS image sensor
- Full HD1080P @60fps
- Micro SD card slot
- Support -40°C ~ 60°C / -40°F ~ 140°F
- P-Iris, IK10, IP66



NViS 3720

Mobile NVR Surveillance Fanless System with Intel® Core™ i7-4650U

- Intel® Core™ processor dual core i7-4650U
- Three SIM cards + dual WWAN modules support
- Dual externally accessible SATA 3.0 SSD/HDD
- Built-in U-blox UBX-G6010 GPS, optional Dead Reckoning support
- Built-in CAN 2.0B. Optional OBDII function (SAE J1939/J1708)
- Wake on RTC/SMS via WWAN module
- Voice communication via WWAN module
- Compliant with MIL-STD-810G
- 4 x mini-PCIe socket rich expansion capability

NViS 1204

Slim Type NVR with Intel® Sandy Bridge Platform

- Intel® Celeron® 847E, Dual Core 1.1GHz
- Max. 16GB RAM supported
- Dual display of HDMI and VGA
- 2 x 2.5" SATA HDD with service door
- 2 x Intel® Gigabit Ethernet
- 4 x USB 2.0
- 1 x mini-PCIe slot
- 4 x 10/100/1000 PoE, 15.4W per port



NViS 1208

Slim Type NVR with Intel® Sandy Bridge Platform

- Intel® Celeron® 847E, Dual Core 1.1GHz
- Max. 16GB RAM supported
- Dual display of HDMI and VGA
- 2 x 2.5" SATA HDD with service door
- 2 x Intel® Gigabit Ethernet
- 4 x USB 2.0
- 1 x mini-PCIe slot
- 8 x 10/100/1000 PoE, 15.4W per port





NViS 1328

Slim Type NVR with Intel® Sandy Bridge Platform


- Intel® Core™ i3-2340UE, Dual Core, 1.3 GHz
- Max. 16GB RAM supported
- Dual display of HDMI and VGA
- 2 x 2.5" SATA HDD with service door
- 2 x Intel® Gigabit Ethernet
- 4 x USB 2.0
- 1 x mini-PCIe slot
- 8 x 10/100/1000 PoE, 15.4W per port



Ultra Low Light IP Camera






Model				
	NCi-221	NCo-221-VHR	NCb-221	NCr-221-VHR
Camera				
Image Sensor	Sony 1/1.9" Exmor image sensor	Sony 1/1.9" Exmor image sensor	Sony 1/1.9" Exmor image sensor	Sony 1/1.9" Exmor image sensor
Min. lux	B/W 0 lux / Color 0.05 lux	B/W 0 lux / Color 0.05 lux	B/W 0.005 lux / Color 0.05 lux	B/W 0 lux / Color 0.05 lux
Lens	Varifocal (3-9mm, F1.2)	Motorized (3-9mm, F1.2)	CS mount	Motorized (3-9mm, F1.2)
Iris Type	P-Iris	P-Iris	DC-Iris	P-Iris
Day and Night	Yes	Yes	Yes	Yes
IR Distance	N/A	Effective up to 25 meter/82 feet	N/A	Effective up to 30 meter/98.4 feet
IR Control	N/A	Smart IR	N/A	Smart IR
ICR	Yes	Yes	Yes	Yes
WDR	DWDR	DWDR	DWDR	DWDR
Video				
Video Compression	H.264 / M-JPEG	H.264 / M-JPEG	H.264 / M-JPEG	H.264 / M-JPEG
Video Streaming	Triple streaming H.264 Stream 1/ H.264 Stream2/ MJPEG Stream 3	Triple streaming H.264 Stream 1/ H.264 Stream2/ MJPEG Stream 3	Triple streaming H.264 Stream 1/ H.264 Stream2/ MJPEG Stream 3	Triple streaming H.264 Stream 1/ H.264 Stream2/ MJPEG Stream 3
Video Quality	VBR/CBR	VBR/CBR	VBR/CBR	VBR/CBR
Frame Rate	1920x1080 @30 fps 1280x720 @30 fps 720x576 @30 fps 720x480 @30 fps 640x480 @30 fps 320x240 @30 fps	1920x1080 @60 fps 1280x720 @60 fps 720x576 @60 fps 720x480 @60 fps 640x480 @60 fps 320x240 @60 fps	1920x1080 @30 fps 1280x720 @30 fps 720x576 @30 fps 720x480 @30 fps 640x480 @30 fps 320x240 @30 fps	1920x1080 @30 fps 1280x720 @30 fps 720x576 @30 fps 720x480 @30 fps 640x480 @30 fps 320x240 @30 fps
Network				
Interface	10/100/1000 Mbps Ethernet, RJ-45	10/100/1000 Mbps Ethernet, RJ-45	10/100/1000 Mbps Ethernet, RJ-45	10/100/1000 Mbps Ethernet, RJ-45
I/O Connector				
Audio in/ out Port	N/A	Terminal block 1 in/ 1out	3.5 mm phone jack x2	3.5 mm phone jack x2
D I/O	Dlx1,DOx1	Dlx1,DOx1	Dlx1,DOx1	Dlx1,DOx1
Micro SD Slot	Yes	Yes	Yes	Yes
Power				
DC/AC	DC 12V terminal block	DC 12V/AC 24V terminal block	DC 12V/AC 24V terminal block	DC 12V/AC 24V terminal block
PoE	IEEE 802.3af	IEEE 802.3af	IEEE 802.3af	IEEE 802.3af
General				
Operating Temp.	0°C~60°C/ 32°F ~140°F	-40°C~60°C/ -40°F ~140°F	-20°C~60°C/ -4°F ~140°F	-40°C~60°C/ -40°F ~140°F
Humidity	90% RH (no condensation)	90% RH (no condensation)	90% RH (no condensation)	90% RH (no condensation)
Certification	CE/FCC	CE/FCC	CE/FCC	CE/FCC
Vandal Resistant	N/A	IK10	N/A	IK10
Weather Proof	N/A	IP66, built-in heater	with housing	IP66 & IP67, built-in heater

X86 Syskam






Model	
	NCK-251
Camera	
CPU	Intel® E3845(Quad Core) Processor
Image Sensor	1/2.7" Progressive Scan CMOS Sensor
Min. LUX	B/W 0.05 lux Color 0.5 lux
Lens	C / CS Mount
Day and Night	Yes (with ICR)
IR Distance	N/A
IR Control	N/A
ICR	Yes
WDR	N/A
Video	
Video Compression	H.264/M-JPEG
Video Stream	Triple streaming H.264 Stream 1/ H.264 Stream2/ MJPEG Stream 3
Video Quality	VBR/CBR
Frame Rate	1920x1080 @30 fps 1280x720 @30 fps 720x576 @30 fps 720x480 @30 fps 640x480 @30 fps 320x240 @30 fps
Network	
Interface	10/100/1000 Mbps Ethernet, RJ-45
I/O Connector	
Audio in/out Port	3.5mm phone jack x2
DI/DO	Dix1, DOx1
Others	RS485X1, RS232X1, USBX2, HDMI X1, Reset ButtonX1
Storage	mSATA x 1, 2.5" SSD/ HDD x 1 (optional)
Power	
DC/AC	DC 12V/AC24V Terminal block
General	
Operation Temp	-20°C ~ 60°C/ -4°F ~ 140°F
Humidity	90% RH (no Condensation)
Certification	CE/FCC
Power Consumption	up to 22W







2 Megapixels IP Camera

Model		
	NCo-201-VHR	NCm-201-V
Camera		
Image Sensor	1/3" True WDR progressive scan CMOS sensor	1/3" True WDR progressive scan CMOS sensor
Min. lux	B/W 0 lux / Color 0.1 lux	B/W 0.05 lux / Color 0.1 lux
Lens	Motorized (3-10mm, F1.4)	Fixed Lens 3.6 mm F1.8 (2.8mm optional)
Iris Type	P-Iris	Fixed Iris
Day and Night	Yes	Yes
IR Distance	Effective up to 30 meter/82 feet	N/A
IR Control	Smart IR	N/A
ICR	Yes	N/A
WDR	True WDR 100dB	True WDR 100dB
Video		
Video Compression	H.264 / M-JPEG	H.264 / M-JPEG
Video Streaming	Triple streaming H.264 Stream 1/ H.264 Stream2/ MJPEG Stream 3	Triple streaming H.264 Stream 1/ H.264 Stream2/ MJPEG Stream 3
Video Quality	VBR/CBR	VBR/CBR
Frame Rate	1920x1080 @30 fps 1280x720 @30 fps 720x576 @30 fps 720x480 @30 fps 640x480 @30 fps 320x240 @30 fps	1920x1080 @30 fps 1280x720 @30 fps 720x576 @30 fps 720x480 @30 fps 640x480 @30 fps 320x240 @30 fps
Network		
Interface	10/100/1000 Mbps Ethernet, RJ-45	10/100/1000 Mbps Ethernet, RJ-45 (M12 Connector optional)
I/O Connector		
Audio in/ out Port	Terminal block 1 in/ 1out	N/A
D I/O	Dix1, DOx1	N/A
Micro SD Slot	Yes	Yes
Power		
DC/AC	DC 12V/AC 24V terminal block	N/A
PoE	IEEE 802.3af	IEEE 802.3af
General		
Operating Temp.	-40°C~60°C/ -40°F ~140°F	-40°C~60°C/ -40°F ~140°F
Humidity	90% RH (no condensation)	90% RH (no condensation)
Certification	CE/FCC	CE/FCC/EN-50155
Vandal Resistant	IK10	IK10
Weather Proof	IP66 & IP67, built-in heater	IP67






				
NCi-211-R	NCi-211	NCi-212	NCb-211	NCR-212-OVR
1/3" progressive scan CMOS sensor	1/3" progressive scan CMOS sensor	1/3" progressive scan CMOS sensor	1/3" progressive scan CMOS sensor	1/3" progressive scan CMOS sensor
B/W 0 lux / Color 0.1 lux	B/W 0.01 lux / Color 0.1 lux	B/W 0.05 lux / Color 0.1 lux	B/W 0.05 lux / Color 0.1 lux	B/W 0 lux / Color 0.1 lux
Varifocal (3-10mm, F1.3)	Varifocal (3-10mm, F1.3)	Fixed Lens 3.6 mm F1.8 (2.8mm optional)	CS mount	Fixed Lens 3.6 mm F1.8 (4.2/6.0mm optional)
DC-Iris	DC-Iris	Fixed Iris	DC-Iris	Fixed Iris
Yes	Yes	Yes	Yes	Yes
Effective up to 15 meter/49.2 feet	N/A	N/A	N/A	Effective up to 25 meter/82 feet
Smart IR	N/A	N/A	N/A	Smart IR
Yes	Yes	N/A	Yes	Yes
DWDR	DWDR	DWDR	DWDR	DWDR
H.264 / M-JPEG	H.264 / M-JPEG	H.264 / M-JPEG	H.264 / M-JPEG	H.264 / M-JPEG
Triple streaming H.264 Stream 1/ H.264 Stream2/ MJPEG Stream 3	Triple streaming H.264 Stream 1/ H.264 Stream2/ MJPEG Stream 3	Triple streaming H.264 Stream 1/ H.264 Stream2/ MJPEG Stream 3	Triple streaming H.264 Stream 1/ H.264 Stream2/ MJPEG Stream 3	Triple streaming H.264 Stream 1/ H.264 Stream2/ MJPEG Stream 3
VBR/CBR	VBR/CBR	VBR/CBR	VBR/CBR	VBR/CBR
1920x1080 @30 fps 1280x720 @30 fps 720x576 @30 fps 720x480 @30 fps 640x480 @30 fps 320x240 @30 fps	1920x1080 @30 fps 1280x720 @30 fps 720x576 @30 fps 720x480 @30 fps 640x480 @30 fps 320x240 @30 fps	1920x1080 @30 fps 1280x720 @30 fps 720x576 @30 fps 720x480 @30 fps 640x480 @30 fps 320x240 @30 fps	1920x1080 @30 fps 1280x720 @30 fps 720x576 @30 fps 720x480 @30 fps 640x480 @30 fps 320x240 @30 fps	1920x1080 @30 fps 1280x720 @30 fps 720x576 @30 fps 720x480 @30 fps 640x480 @30 fps 320x240 @30 fps
10/100/1000 Mbps Ethernet, RJ-45	10/100/1000 Mbps Ethernet, RJ-45	10/100/1000 Mbps Ethernet, RJ-45	10/100/1000 Mbps Ethernet, RJ-45	10/100/1000 Mbps Ethernet, RJ-45
N/A	N/A	N/A	3.5 mm phone jack x2	N/A
Dlx1, DOx1	Dlx1, DOx1	Dlx1, DOx1	Dlx1, DOx1	N/A
Yes	Yes	Yes	Yes	N/A
DC 12V terminal block	DC 12V terminal block	DC 12V terminal block	DC 12V/AC 24V terminal block	N/A
IEEE 802.3af	IEEE 802.3af	IEEE 802.3af	IEEE 802.3af	IEEE 802.3af
0°C~60°C/ 32°F ~140°F	0°C~60°C/ 32°F ~140°F	0°C~60°C/ 32°F ~140°F	-20°C~60°C/ -4°F ~140°F	-20°C~60°C/ -4°F ~140°F
90% RH (no condensation)	90% RH (no condensation)	90% RH (no condensation)	90% RH (no condensation)	90% RH (no condensation)
CE/FCC	CE/FCC	CE/FCC	CE/FCC	CE/FCC
N/A	N/A	N/A	N/A	N/A
N/A	N/A	N/A	with housing	IP67

3 Megapixels IP Camera

Model					
	NCi-301-V	NCo-301-VHR	NCr-302-VHR	NCr-303-VHR	NCb-301
Camera					
Image Sensor	1/3" 3MP True WDR progressive scan CMOS sensor	1/3" 3MP True WDR progressive scan CMOS sensor	1/3" 3MP True WDR progressive scan CMOS sensor	1/3" 3MP True WDR progressive scan CMOS sensor	1/3" 3MP True WDR progressive scan CMOS sensor
Min. lux	B/W 0.01 lux / Color 0.1 lux	B/W 0 lux / Color 0.1 lux	B/W 0 lux / Color 0.1 lux	B/W 0 lux / Color 0.1 lux	B/W 0.01 lux / Color 0.1 lux
Lens	Motorized (3-10mm, F1.4)	Motorized (3-10mm, F1.4)	Motorized (3-10mm, F1.4)	Motorized (9-22mm, F1.5)	Motorized (3-10mm, F1.4)
Iris Type	P-Iris	P-Iris	P-Iris	P-Iris	P-Iris
Day and Night	Yes	Yes	Yes	Yes	Yes
IR Distance	N/A	Effective up to 25 meter/82 feet	Effective up to 30 meter/98.4 feet	Effective up to 50 meter/164 feet	N/A
IR Control	N/A	Smart IR	Smart IR	Smart IR	N/A
ICR	Yes	Yes	Yes	Yes	Yes
WDR	True WDR 100dB	True WDR 100dB	True WDR 100dB	True WDR 100dB	True WDR 100dB
Video					
Video Compression	H.264 / M-JPEG	H.264 / M-JPEG	H.264 / M-JPEG	H.264 / M-JPEG	H.264 / M-JPEG
Video Streaming	Triple streaming H.264 Stream 1/ H.264 Stream2/ MJPEG Stream 3	Triple streaming H.264 Stream 1/ H.264 Stream2/ MJPEG Stream 3	Triple streaming H.264 Stream 1/ H.264 Stream2/ MJPEG Stream 3	Triple streaming H.264 Stream 1/ H.264 Stream2/ MJPEG Stream 3	Triple streaming H.264 Stream 1/ H.264 Stream2/ MJPEG Stream 3
Video Quality	VBR/CBR	VBR/CBR	VBR/CBR	VBR/CBR	VBR/CBR
Frame Rate	2048x1536 @30 fps 1920x1080 @60 fps 1280x720 @30 fps 720x576 @30 fps 720x480 @30 fps 640x480 @30 fps 320x240 @30 fps	2048x1536 @30 fps 1920x1080 @60 fps 1280x720 @30 fps 720x576 @30 fps 720x480 @30 fps 640x480 @30 fps 320x240 @30 fps	2048x1536 @30 fps 1920x1080 @60 fps 1280x720 @30 fps 720x576 @30 fps 720x480 @30 fps 640x480 @30 fps 320x240 @30 fps	2048x1536 @30 fps 1920x1080 @60 fps 1280x720 @30 fps 720x576 @30 fps 720x480 @30 fps 640x480 @30 fps 320x240 @30 fps	2048x1536 @30 fps 1920x1080 @60 fps 1280x720 @30 fps 720x576 @30 fps 720x480 @30 fps 640x480 @30 fps 320x240 @30 fps
Network					
Interface	10/100/1000 Mbps Ethernet, RJ-45	10/100/1000 Mbps Ethernet, RJ-45	10/100/1000 Mbps Ethernet, RJ-45	10/100/1000 Mbps Ethernet, RJ-45	10/100/1000 Mbps Ethernet, RJ-45
I/O Connector					
Audio in/ out Port	Terminal block 1 in/ 1out	Terminal block 1 in/ 1out	3.5 mm phone jack x2	3.5 mm phone jack x2	3.5 mm phone jack x2
D I/O	D1x1,DOx1	D1x1,DOx1	D1x1,DOx1	D1x1,DOx1	D1x1,DOx1
Micro SD Slot	Yes	Yes	Yes	Yes	Yes
Power					
DC/AC	DC 12V/AC 24V terminal block	DC 12V/AC 24V terminal block	DC 12V/AC 24V terminal block	DC 12V/AC 24V terminal block	DC 12V/AC 24V terminal block
PoE	IEEE 802.3af	IEEE 802.3af	IEEE 802.3at (PoE+)	IEEE 802.3at (PoE+)	IEEE 802.3at (PoE+)
General					
Operating Temp.	0°C~60°C/ 32°F ~140°F	-40°C~60°C/ -40°F ~140°F	-40°C~60°C/ -40°F ~140°F	-40°C~60°C/ -40°F ~140°F	-20°C~60°C/ -4°F ~140°F
Humidity	90% RH (no condensation)	90% RH (no condensation)	90% RH (no condensation)	90% RH (no condensation)	90% RH (no condensation)
Certification	CE/FCC	CE/FCC	CE/FCC	CE/FCC	CE/FCC
Vandal Resistant	IK10	IK10	IK10	IK10	N/A
Weather Proof	N/A	IP66, built-in heater	IP66 & IP67, built-in heater	IP66 & IP67, built-in heater	with housing

					
NCm-301-V	NCi-311-R	NCi-311	NCi-312	NCb-311	NCr-312-OVR
1/3" 3MP True WDR progressive scan CMOS sensor	1/3" 3MP progressive scan CMOS sensor	1/3" 3MP progressive scan CMOS sensor	1/3" 3MP progressive scan CMOS sensor	1/3" 3MP progressive scan CMOS sensor	1/3" 3MP progressive scan CMOS sensor
B/W 0.05 lux / Color 0.1 lux	B/W 0 lux / Color 0.1 lux	B/W 0.01 lux / Color 0.1 lux	B/W 0.05 lux / Color 0.1 lux	B/W 0.01 lux / Color 0.1 lux	B/W 0 lux / Color 0.1 lux
Fixed Lens 3.6 mm F1.8 (2.8mm optional)	Varifocal (3-10mm, F1.3)	Varifocal (3-10mm, F1.3)	Fixed Lens 3.6 mm F1.8 (2.8mm optional)	CS mount	Fixed Lens 3.6 mm F1.8 (4.2/6.0mm optional)
Fixed Iris	DC-Iris	DC-Iris	Fixed Iris	DC-Iris	Fixed Iris
Yes	Yes	Yes	Yes	Yes	Yes
N/A	Effective up to 15 meter/49.2 feet	N/A	N/A	N/A	Effective up to 25 meter/82 feet
N/A	Smart IR	N/A	N/A	N/A	Smart IR
N/A	Yes	Yes	N/A	Yes	Yes
True WDR 100dB	DWDR	DWDR	DWDR	DWDR	DWDR
H.264 / M-JPEG	H.264 / M-JPEG	H.264 / M-JPEG	H.264 / M-JPEG	H.264 / M-JPEG	H.264 / M-JPEG
Triple streaming H.264 Stream 1/ H.264 Stream2/ MJPEG Stream 3	Triple streaming H.264 Stream 1/ H.264 Stream2/ MJPEG Stream 3	Triple streaming H.264 Stream 1/ H.264 Stream2/ MJPEG Stream 3	Triple streaming H.264 Stream 1/ H.264 Stream2/ MJPEG Stream 3	Triple streaming H.264 Stream 1/ H.264 Stream2/ MJPEG Stream 3	Triple streaming H.264 Stream 1/ H.264 Stream2/ MJPEG Stream 3
VBR/CBR	VBR/CBR	VBR/CBR	VBR/CBR	VBR/CBR	VBR/CBR
2048x1536 @20 fps 1920x1080 @30 fps 1280x720 @30 fps 720x576 @30 fps 720x480 @30 fps 640x480 @30 fps 320x240 @30 fps	2048x1536 @20 fps 1920x1080 @30 fps 1280x720 @30 fps 720x576 @30 fps 720x480 @30 fps 640x480 @30 fps 320x240 @30 fps	2048x1536 @20 fps 1920x1080 @30 fps 1280x720 @30 fps 720x576 @30 fps 720x480 @30 fps 640x480 @30 fps 320x240 @30 fps	2048x1536 @20 fps 1920x1080 @30 fps 1280x720 @30 fps 720x576 @30 fps 720x480 @30 fps 640x480 @30 fps 320x240 @30 fps	2048x1536 @20 fps 1920x1080 @30 fps 1280x720 @30 fps 720x576 @30 fps 720x480 @30 fps 640x480 @30 fps 320x240 @30 fps	2048x1536 @20 fps 1920x1080 @30 fps 1280x720 @30 fps 720x576 @30 fps 720x480 @30 fps 640x480 @30 fps 320x240 @30 fps
10/100/1000 Mbps Ethernet, RJ-45 (M12 Connector optional)	10/100/1000 Mbps Ethernet, RJ-45	10/100/1000 Mbps Ethernet, RJ-45	10/100/1000 Mbps Ethernet, RJ-45	10/100/1000 Mbps Ethernet, RJ-45	10/100/1000 Mbps Ethernet, RJ-45
N/A	N/A	N/A	N/A	3.5 mm phone jack x2	N/A
N/A	Dlx1,DOx1	Dlx1,DOx1	Dlx1,DOx1	Dlx1,DOx1	N/A
Yes	Yes	Yes	Yes	Yes	N/A
N/A	DC 12V terminal block	DC 12V terminal block	DC 12V terminal block	DC 12V/AC 24V terminal block	N/A
IEEE 802.3af	IEEE 802.3af	IEEE 802.3af	IEEE 802.3af	IEEE 802.3af	IEEE 802.3af
-40°C~60°C/ -40°F~140°F	0°C~60°C/ 32°F~140°F	0°C~60°C/ 32°F~140°F	0°C~60°C/ 32°F~140°F	-20°C~60°C/ -4°F~140°F	-20°C~60°C/ -4°F~140°F
90% RH (no condensation)	90% RH (no condensation)	90% RH (no condensation)	90% RH (no condensation)	90% RH (no condensation)	90% RH (no condensation)
CE/FCC/EN-50155	CE/FCC	CE/FCC	CE/FCC	CE/FCC	CE/FCC
IK10	N/A	N/A	N/A	N/A	N/A
IP67	N/A	N/A	N/A	with housing	IP67

NVR Hardware Platform

Model					
	NViS 1204/08	NViS 1328	NViS 5604-i5	NViS 5604-i7	NViS 6220
Power Over Ethernet (PoE)	4/8 x 10/100/1000 PoE, IEEE 802.3af, 15.4W per port	8 x 10/100/1000 PoE, IEEE 802.3af, 15.4W per port	N/A	N/A	N/A
CPU	Intel® Celeron 847E, Dual Core, 1.1GHz	Intel® i3-2340UE, Dual Core, 1.3GHZ	Intel® Core i5-4570TE, Quad Core, 2.7 GHz	Intel® Core i7-4770TE, Quad Core, 2.3 GHz	Intel® Core i3/i5/i7 Processor
Memory	2 x 204 Pin DDR3 SO-DIMM, up to 16 GB memory	2 x 204 Pin DDR3 SO-DIMM, up to 16 GB memory	2 x DDR3 1066/1333/1600 SODIMM socket, up to 16G	2 x DDR3 1066/1333/1600 SODIMM socket, up to 16G	4 x DDR3 1066/1333 MHz sockets, up to 16GB
Graphics	HM 65	HM 65	Q87	Q87	Q67
Storage	2 x 2.5" HDD drive bay	2 x 2.5" HDD drive bay	4 x 3.5" HDD (Support Hot-wappable)	4 x 3.5" HDD (Support Hot-wappable)	8 x 3.5" HDD drive bay (support 3.5" hot-swappable)
eSATA	N/A	N/A	0	0	N/A
RAID	N/A	N/A	Yes (SW Raid 0, 1, 5, 10)	Yes (SW Raid 0, 1, 5, 10)	Yes (SW RAID 0,1,5,10)
Display	VGA/ HDMI	VGA/HDMI	VGA/HDMI	VGA/HDMI	VGA/HDMI/DVI
Gigabit Ethernet	2	2	2	2	2
COM Port (edge)	0	0	3	3	1 (internal)
USB (edge)	4	4	2 x USB2.0 4 x USB3.0	2 x USB2.0 4 x USB3.0	4
Expansion Slot	1 x mPCIe	1 x mPCIe	1 x PCI ExpressX16 or 1 x mini-PCIe	1 x PCI ExpressX16 or 1 x mini-PCIe	1 x PCIe ExpressX16, 1 x mini-PCIe
Power Input	DC 24V	DC 24V	AC 100 ~ 240V	AC 100 ~ 240V	AC 100 ~ 240V
Power Ignition Module	N/A	N/A	N/A	N/A	N/A
Operation System	Windows 7 Pro/WES 7	Windows 7 Pro/WES 7	Windows 7 Pro/WES7/WES8	Windows 7 Pro/WES7/WES8	Windows 7 Pro/WES 7
Operation Temperature	0~40°C	0~40°C	0°C to 40°C	0°C to 40°C	0°C to 40°C
Operation Vibration	N/A	N/A	N/A	N/A	N/A
Certification	CE/FCC	CE/FCC	CE/FCC	CE/FCC	CE/FCC
Dimension	310mm (W) x 196mm (D) x 44mm (H)	310mm (W) x 196mm (D) x 44mm (H)	200mm (W) x 303mm (D) x 250mm (H)	200mm (W) x 303mm (D) x 250mm (H)	440.9mm(W) x 535.2mm(D)x88.1mm(H)



NViS 3542P4/P8	NViS 2310	NViS 3620	NViS 3720	nROK 5500
4/8x 10/100 PoE, IEEE 802.3af, 15.4W per port	N/A	N/A	N/A	8 x 10/100/1000 PoE LAN with M12 connector and support IEEE802.3af (Optional with LED, LAN hub switch, Max 60W)
Support Intel® Core™ i7/i5 processor up to 2.66GHz	Intel® Atom™ processor Quad core E3845, 1.91GHz	Intel® Core™ processor Dual core i5-4300U	Intel® Core™ processor dual core i7-4650U, 1.7GHz	Intel® Core™ i7 3517UE 1.7GHz/i5 3610ME 2.7GHz
2x 240 pin DDR3 sockets, up to 4GB memory	1 x 204-pin DDR3L SO-DIMM socket support 1066MHz/1333MHz up to 8GB (default 4G)	2 channel 204-pin DDR3L SO-DIMM socket support 1333/1600MHz up to 16GB (default 4G)	2 channel 204-pin DDR3L SO-DIMM socket support 1333/1600MHz up to 16GB (default 4G)	DDR3 1333MHz SODIMM with ECC (up to 16GB)
QM57	-	-	-	Intel® QM77 chipsets
2 x 2.5" HDD drive bay (Support one Hot-Swappable HDD)	1 x 2.5" SSD/HDD SATA 2.0 1 x CFast (externally accessible)	2 x 2.5" SATA 3.0 SSD/HDD 1 x CFast (externally accessible)	2 x 2.5" SATA 3.0 SSD/HDD 1 x CFast (externally accessible)	4 x 2.5" SATA SSD removable tray (3 removable tray plus 1 fixed tray for HDD)
2	N/A	N/A	N/A	N/A
Yes (SW Raid 0,1)	N/A	Yes (SW RAID 0, 1)	Yes (SW RAID 0, 1)	YES (SW RAID 0, 1, 5, 10)
VGA/ DVI-D	VGA/DP	VGA/DP	VGA/DP	1xVGA, 2xHDMI
2	2	2	2	2 x 10/100/1000 Ethernet with M12 connector and support iAMT8.0
4	2 x DB-9 RS-232 1 x DB-9 RS-232/422/485	2 x DB-9 RS-232 1 x DB-9 RS-232/422/485	2 x DB-9 RS-232 1 x DB-9 RS-232/422/485	2 x DB9 RS-232 connector (Isolation optional) 1 x DB9 RS-422/485 connector
6	USB3.0 x 1 USB2.0 x 2	USB3.0 x 2 USB2.0 x 2	USB3.0 x 2 USB2.0 x 2	2 x USB3.0 1 x USB2.0 with M12 connector
N/A	1 x full size Mini-PCIe socket (USB 2.0) 1 x full size Mini-PCIe socket (USB 2.0) 1 x full size Mini-PCIe socket (USB 2.0 + PCIe) 1 x half size Mini-PCIe socket (USB 2.0 + PCIe)	1 x full size Mini-PCIe socket (USB 2.0) 1 x full size Mini-PCIe socket (USB 2.0 + PCIe) 1 x full size Mini-PCIe socket (USB 2.0 + PCIe) 1 x half size Mini-PCIe socket (USB 2.0 + PCIe)	1 x full size Mini-PCIe socket (USB 2.0) 1 x full size Mini-PCIe socket (USB 2.0 + PCIe) 1 x full size Mini-PCIe socket (USB 2.0 + PCIe) 1 x half size Mini-PCIe socket (USB 2.0 + PCIe)	2 x Mini-PCIe socket (PCIe + USB) for WLAN option 1 x Mini-PCIe socket (USB) for 3.5G module option 1 x GPS or GPS with dead reckoning option
DC 9 ~ 30V	DC 9 ~ 36V	DC 9~36V	DC 9 ~ 36V	DC 24V/110V
Optional NISKIG 120	N/A	N/A	N/A	N/A
Windows XP/Win7/WES 2009/Linux	Windows 8, WES8/Window 7, WES7/Linux kernel 3.X	Windows 8, WES8/Window 7, WES7/Linux kernel 3.X	Windows 8, WES8/Window 7, WES7/Linux kernel 3.X	Windows Embedded Standard 7
-5°C ~ 55°C	Ambient with air flow: -30°C to 70°C (SSD)	Ambient with air flow: -30°C to 50°C (SSD)	Ambient with air flow: -30°C to 50°C (SSD)	Ambient with air -40°C to 70°C (EN50155 Class TX, 0°C to 45°C for HDD)
MIL-STD-810F 514.5C-3 (SSD)	MIL-STD-810G	MIL-STD-810G	MIL-STD-810G	Compliance with EN61373 Category 1 Class B
e13 Mark/CE/FCC	e13 Mark/CE/FCC	e13 Mark/CE/FCC	e13 Mark/CE/FCC	CE/FCC/Compliance with EN50155
235mm (W) x 268 mm (D) x 101mm (H)	260 mm (W) x 176 mm (D) x 50 mm (H)	260 mm (W) x 206 mm (D) x 79.5 mm	260 mm (W) x 206 mm (D) x 79.5 mm (H)	482.6mm (W) x 400mm (D) x 88mm (H)

NCo-301-VHR

3MP Outdoor IR Vandal Dome
with Smart IR, Motorized Lens, P-Iris, True WDR, IK10



Main Features

- 3MP @30fps, Full 1080P @60fps
- Motorized lens 3-10mm F1.4
- Advance P-Iris
- 100dB True WDR
- IK10 vandal resistant, IP66
- Smart IR with 25M
- Extreme weather -40°C ~ 60°C/-40°F ~ 140°F

ONVIF



Product Overview

NexCom introduces new outdoor dome IP camera offering outstanding 3MP image quality including support for zoom focus function. NCo-301-VHR IP Camera, available in indoor and outdoor using scenario, are suitable for building surveillance solution, True WDR/smart IR can overcome variation light condition continued to provide crystal clear image output. IK10/IP66 makes IP camera ideal for all kind of extremely working behavior.

Megapixel @ 60 fps

NexCam supports high-performance H.264/MJPEG compression technology and offers extra smooth video at up to 60 fps in 1080p, and 30fps @ 3MP. Furthermore, Video ROI [Region Of Interest] function reduce bandwidth and storage requirement, providing users with the best option in bandwidth flexibility and storage efficiency.



Zoom Focus

Zoom focus function allows users to remotely control focus and zoom to simplify installation and reduce labor cost. 3-10 mm focal length is available with feed-back potentiometers for auto-positioning applications. Post-installation adjustment can be done quickly and painlessly, without the need to tear down and reinstall the camera.

P-Iris

P-iris function works by a stepping motor controlled via software to automatically provide the best iris position for best exposure time in all lighting conditions. The Result is a clearer image with better contrast and depth of field.

Smart IR

Smart IR is superior to the traditional IR by automatically adjusting IR output in response to the distance of the object in view. The closer the object, the dimmer the IR will be. This will avoid object over-exposure commonly seen in cameras using traditional IR functions. Over-exposure makes it almost impossible to accurately recognize human faces or other vital characteristics.

Specifications

Camera General Information

Image Sensor	1/3" 3MP True WDR progressive scan CMOS sensor
Minimum Illumination	B/W 0 lux/Color 0.1 lux
Lens	Motorized (3-10mm, F1.4)
Field of View	Horizontal: 33.6°~81.9° Vertical: 25.5°~62.6° Diagonal: 42.6°~103.1°
Iris Type	P-iris
Day and Night	YES (Ture D/N)
IR Distance	Effective up to 25 meter
IR Wavelength	850nm(16 pcs Φ 5.0 IR-LED, 8pcs 6.0 Φ IR-LED)
IR Control	Smart IR
ICR	YES
WDR	YES
Image Enhance	Brightness, Contrast, Saturation, Sharpness, Backlight compensation, Mirror, Flip, Day/Night, Anti-flicker

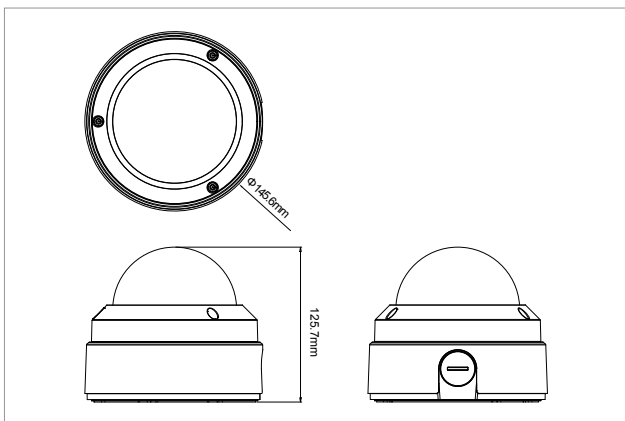
Video

Video Compression	H.264/M-JPEG
Video Streaming	Triple streaming H.264 Stream 1/H.264 Stream2/MJPEG Stream 3
Video Resolution	2048x1536 to 320x240
Video Quality	VBR/CBR
Frame Rate	2048x1536 @30 fps 1920x1080 @60 fps 1280x720 @30 fps 720x576 @30 fps 720x480 @30 fps 640x480 @30 fps 320x240 @30 fps

Audio

Audio Streaming	Two-way
Audio Compression	G.711 8KHz/16bit
Audio Input	Line-in
Audio Output	Line-out

Dimension Drawing



Network

Interface	10/100/1000 Mbps Ethernet, RJ-45
Supported Protocols	HTTP, TCP/IP, UDP, RTP, RTSP, FTP, SMTP, DHCP, DNS, DDNS, NTP, uPnP, ONVIF, IPv4/v6
Browser	Internet Explorer (support up to IE 10), Chrome, Firefox, Safari
Security	Multi-level passwords /HTTP encryption

I/O Connector

Audio in/out Port	Terminal block 1 in/1out
D I/O	DIX1,DOx1
RS485	N/A
Micro SD Card Slot	YES
RJ45	YES

Event Management

Event Trigger	Motion detection , DI
Notifications	Trigger alarm output, email/FTP and record video to PC or SD card
post Recording	YES
Pre Recording	YES

Power

DC/AC	DC 12V/AC 24V terminal block
PoE	YES/IEEE 802.3af

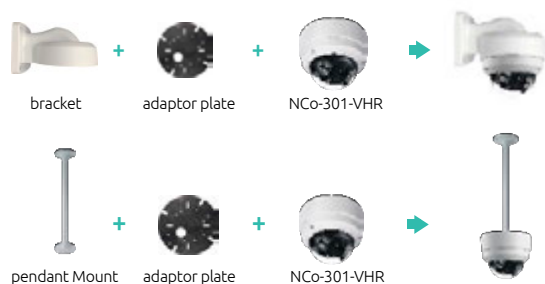
General

Power Consumption	12W max.
Weight	1725g
Dimension	Φ 145.6mm x 125.7mm (H)
Operating Temp.	-40°C ~ 60°C/-40°F ~ 140°F
Humidity	90% RH (no condensation)
Certification	CE/FCC
Vandal Resistant	IK10
Weather Prove	IP66, built-in heater
Application	SDK available for application development

Packaging Information

NWT	1725g
GWT	2055g
Dimension	225mm x 202mm x 156mm

Accessories (Optional)



Ordering Information

- ◆ NCo-301-VHR (P/N: 10HQ0030100X0)



Main Features

- Full 1080P @30fps
- Motorized lens 3-10mm F1.4
- Advance P-Iris
- 100dB True WDR
- IK10 vandal resistant, IP66
- Smart IR with 25M
- Extreme weather -40°C~60°C/-40°F~140°F



Product Overview

NexCom introduces new outdoor dome IP camera offering outstanding 2MP image quality including support for zoom focus function. NCo-201-VHR IP Camera, available in indoor and outdoor using scenario, are suitable for building surveillance solution, True WDR/smart IR can overcome variation light condition continued to provide crystal clear image output. IK10/IP66 makes IP camera ideal for all kind of extremely working behavior.

Megapixel @ 30 fps

NexCam supports high-performance H.264/MJPEG compression technology and offers extra smooth video at up to 30 fps in 1080p, Furthermore, Video ROI [Region Of Interest] function reduce bandwidth and storage requirement, providing users with the best option in bandwidth flexibility and storage efficiency.

Zoom Focus

Zoom focus function allows users to remotely control focus and zoom to simplify installation and reduce labor cost. 3-10 mm focal length is available with feed-back potentiometers for auto-positioning applications. Post-installation adjustment can be done quickly and painlessly, without the need to tear down and reinstall the camera.

P-Iris

P-iris function works by a stepping motor controlled via software to automatically provide the best iris position for best exposure time in all lighting conditions. The Result is a clearer image with better contrast and depth of field.

Smart IR

Smart IR is superior to the traditional IR by automatically adjusting IR output in response to the distance of the object in view. The closer the object, the dimmer the IR will be. This will avoid object over-exposure commonly seen in cameras using traditional IR functions. Over-exposure makes it almost impossible to accurately recognize human faces or other vital characteristics.

Specifications

Camera General Information

Image Sensor	1/3" 3MP True WDR progressive scan CMOS sensor
Minimum Illumination	B/W 0 lux/Color 0.1 lux
Lens	Motorized (3-10mm, F1.4)
Field of View	Horizontal: 31.8°~75.3° Vertical: 17.6°~42.7° Diagonal: 36.1°~82.6°
Iris Type	P-iris
Day and Night	YES (Ture D/N)
IR Distance	Effective up to 25 meter
IR Wavelength	850nm(16 pcs Φ 5.0 IR-LED, 8pcs 6.0 Φ IR-LED)
IR Control	Smart IR
ICR	YES
WDR	YES
Image Enhance	Brightness, Contrast, Saturation, Sharpness, Backlight compensation, Mirror, Flip, Day/Night, Anti-flicker

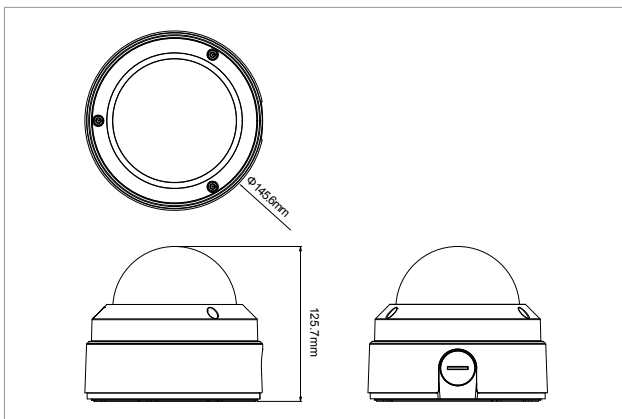
Video

Video Compression	H.264/M-JPEG
Video Streaming	Triple streaming H.264 Stream 1/H.264 Stream2/MJPEG Stream 3
Video Resolution	1920x1080 to 320x240
Video Quality	VBR/CBR
Frame Rate	1920x1080 @30 fps 1280x720 @30 fps 720x576 @30 fps 720x480 @30 fps 640x480 @30 fps 320x240 @30 fps

Audio

Audio Streaming	Two-way
Audio Compression	G.711 8KHz/16bit
Audio Input	Line-in
Audio Output	Line-out

Dimension Drawing



Network

Interface	10/100/1000 Mbps Ethernet, RJ-45
Supported Protocols	HTTP, TCP/IP, UDP, RTP, RTSP, FTP, SMTP, DHCP, DNS, DDNS, NTP, uPnP, ONVIF, IPv4/v6
Browser	Internet Explorer (support up to IE 10), Chrome, Firefox, Safari
Security	Multi-level passwords /HTTP encryption

I/O Connector

Audio in/out Port	Terminal block 1 in/1out
D I/O	Dix1,DOx1
RS485	N/A
Micro SD Card Slot	YES
RJ45	YES

Event Management

Event trigger	Motion detection , DI
Notifications	Trigger alarm output, email/FTP and record video to PC or SD card
post Recording	YES
Pre Recording	YES

Power

DC/AC	DC 12V/AC 24V terminal block
PoE	YES/IEEE 802.3af

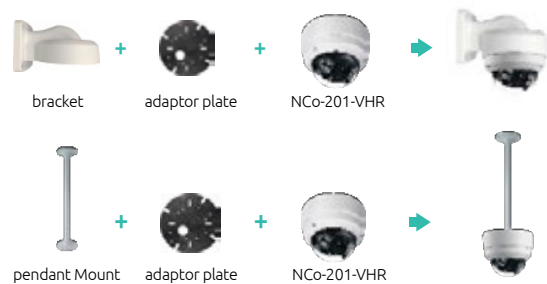
General

Power Consumption	12W max.
Weight	1725g
Dimension	Φ 145.6mm x 125.7mm (H)
Operating Temp.	-40°C ~ 60°C/-40°F ~ 140°F
Humidity	90% RH (no condensation)
Certification	CE/FCC
Vandal Resistant	IK10
Weather Prove	IP66, built-in heater
Application	SDK available for application development

Packaging Information

NWT	1725g
GWT	2055g
Dimension	225mm x 202mm x 156mm

Accessories (Optional)



Ordering Information

- ◆ NCo-301-VHR (P/N: 10HQ0020100X0)



Main Features

- 3MP @30fps, Full HD 1080P @60fps
- Motorized lens 3-10mm, F1.4
- Advance P-Iris
- 100dB True WDR
- IK10 vandal resistant
- Support 0°C ~ 60°C/32°F ~ 140°F



Product Overview

NEXCOM introduces new indoor dome IP camera offering outstanding 3MP image quality including support for zoom focus function. NCI-301-V IP Camera, available in indoor using scenario with wing design, which perfectly fix the camera into the ceiling and wake it suitable for building surveillance solution. True WDR can overcome variation light condition continued to provide crystal clear image output. IK10 makes IP camera ideal for all kind of extremely working behavior.

Megapixel @ 60 fps

NexCam supports high-performance H.264/MJPEG compression technology and offers extra smooth video at up to 60 fps in 1080p, and 30fps @ 3MP. Furthermore, Video ROI [Region Of Interest] function reduce bandwidth and storage requirement, providing users with the best option in bandwidth flexibility and storage efficiency.



Zoom Focus

Zoom focus function allows users to remotely control focus and zoom to simplify installation and reduce labor cost. 3-10 mm focal length is available with feed-back potentiometers for auto-positioning applications. Post-installation adjustment can be done quickly and painlessly, without the need to tear down and reinstall the camera.

True WDR

The True WDR (Wide Dynamic Range/100dB) feature is very useful in overcoming challenges in various lighting conditions. It works by capturing both the dark and bright part of an image, then combining the differences into one frame to generate a highly realistic image. Nexcam True WDR IP Camera provides video quality similar to the human eye. It is well suited in high contrast environments such as lobby entrances, parking lots, ATMs and loading docks.

P-Iris

P-iris function works by a stepping motor controlled via software to automatically provide the best iris position for best exposure time in all lighting conditions. The result is a clearer image with better contrast and depth of field.

Specifications

Camera General Information

Image Sensor	1/3" 3MP True WDR progressive scan CMOS sensor
Minimum Illumination	B/W 0.01 lux/Color 0.1 lux
Lens	Motorized (3-10mm, F1.4) lens
Field of View	Horizontal: 31.8°~75.3° Vertical: 17.6°~42.7° Diagonal: 36.1°~82.6°
Iris Type	P-Iris
Day and Night	YES (Ture D/N)
IR Distance	N/A
IR Wavelength	N/A
IR Control	N/A
ICR	YES
WDR	YES
Image Enhance	Brightness, Contrast, Saturation, Sharpness, Backlight compensation, Mirror, Flip, Day/Night, Anti-flicker

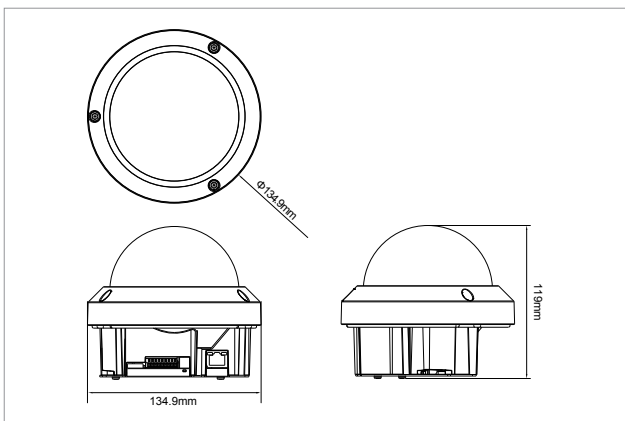
Video

Video Compression	H.264/M-JPEG
Video Streaming	Triple streaming H.264 Stream 1/H.264 Stream2/MJPEG Stream 3
Video Resolution	2048x1536 to 320x240
Video Quality	VBR/CBR
Frame Rate	2048x1536 @30 fps 1920x1080 @60 fps 1280x720 @30 fps 720x576 @30 fps 720x480 @30 fps 640x480 @30 fps 320x240 @30 fps

Audio

Audio Streaming	Two-way
Audio Compression	G.711 8KHz/16bit
Audio Input	Line-in
Audio Output	Line-out

Dimension Drawing



Network

Interface	10/100/1000 Mbps Ethernet, RJ-45
Supported Protocols	HTTP, TCP/IP, UDP, RTP, RTSP, FTP, SMTP, DHCP, DNS, DDNS, NTP, uPnP, ONVIF, IPv4/v6
Browser	Internet Explorer (support up to IE 10), Chrome, Firefox, Safari
Security	Multi-level passwords /HTTP encryption

I/O Connector

Audio in/out Port	Terminal block 1 in/1out
D I/O	Dix1, DOx1
RS485	N/A
Micro SD Card Slot	YES
RJ45	YES

Event Management

Event Trigger	Motion detection , DI
Notifications	Trigger alarm output, email/FTP and record video to PC or SD card
Post Recording	YES
Pre Recording	YES

Power

DC/AC	DC 12V/AC 24V terminal block
PoE	YES/IEEE 802.3af

General

Power Consumption	10W max.
Weight	870g
Dimension	Φ 134.9mm x 119mm (H)
Operating Temp.	0°C ~ 60°C/32°F ~ 140°F
Humidity	90% RH (no condensation)
Certification	CE/FCC
Vandal Resistant	IK10
Weather Proof	N/A
Application	SDK available for application development

Packaging Information

NWT	870g
GWT	1175g
Dimension	225mm x 202mm x 156mm

Accessories (Optional)



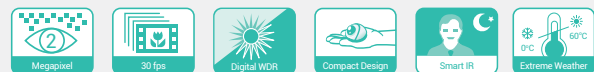
Ordering Information

- NCI-301-V (P/N: 10HI0030100X0)



Main Features

- 3MP @20fps, Full HD 1080P @30fps
- Varifocal lens 3-10mm, F1.3
- Digital WDR
- Compact design
- Smart IR with 15M
- Support 0°C ~ 60°C/32°F ~ 140°F



Product Overview

NEXCOM introduces new mini indoor dome IP camera offering outstanding 3MP image quality including support for vari-focal function. NCI-311-R IP Camera, available in indoor using scenario, are suitable for building/small shop surveillance solution, digital WDR/smart IR can overcome variation light condition continued to provide crystal clear image output. It makes IP camera ideal for all kind of extremely working behaviors.

1080P @ 30 fps

NexCam supports high-performance H.264/MJPEG compression technology and offers extra smooth video at up to 30 fps in 1080p. Furthermore, Video ROI [Region Of Interest] function reduce bandwidth and storage requirement, providing users with the best option in bandwidth flexibility and storage efficiency.

Smart IR

Smart IR is superior to the traditional IR by automatically adjusting IR output in response to the distance of the object in view. The closer the object, the dimmer the IR will be. This will avoid object over-exposure commonly seen in cameras using traditional IR functions. Over-exposure makes it almost impossible to accurately recognize human faces or other vital characteristics.

Digital WDR

Digital Wide Dynamic Range is a feature in NCI-311-R IP cameras that incorporates techniques for handling a wide range of lighting conditions in a scene which with extremely bright and dark areas, a typical camera would produce an image where objects in the dark areas would hardly be visible. Digital Wide Dynamic Range solves this by applying techniques such as using different exposures for different objects in a scene to enable objects in both bright and dark areas to be visible.

Compact Design

NexCam is available in a compact design with stylish, low profile, and discreet housing. It's ideal for residential, office, mall, and store used and of course not limited to. It's indeed a space-saving design that would be perfect for getting an excellent overview for any indoor scene.



Specifications

Camera General Information

Image Sensor	1/3" 3MP progressive scan CMOS sensor
Minimum Illumination	B/W 0 lux/Color 0.1 lux
Lens	Varifocal (3-10mm, F1.3)
Field of View	Horizontal: 28.2°~87.3° Vertical: 21.4°~61.9° Diagonal: 34.6°~112.6°
Iris Type	DC-iris
Day and Night	YES
IR Distance	Effective up to 15 meter
IR Wavelength	850nm (15 pcs Φ 5.0 IR-LED)
IR Control	Smart IR
ICR	YES
WDR	YES (DWDR)
Image Enhance	Brightness, Contrast, Saturation, Sharpness, Backlight compensation, Mirror, Flip, Day/Night, Anti-flicker

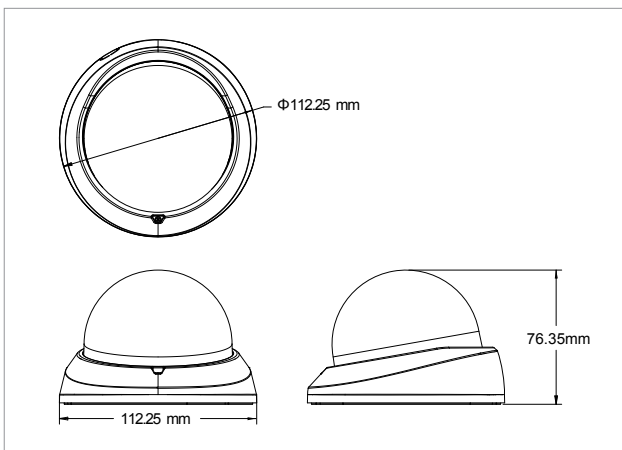
Video

Video Compression	H.264/M-JPEG
Video Streaming	Triple streaming H.264 Stream 1/H.264 Stream2/MJPEG Stream 3
Video Resolution	2048x1536 to 320x240
Video Quality	VBR/CBR
Frame Rate	2048x1536 @20 fps 1920x1080 @30 fps 1280x720 @30 fps 720x576 @30 fps 720x480 @30 fps 640x480 @30 fps 320x240 @30 fps

Audio

Audio Streaming	N/A
Audio Compression	N/A
Audio Input	N/A
Audio Output	N/A

Dimension Drawing



Network

Interface	10/100/1000 Mbps Ethernet, RJ-45
Supported Protocols	HTTP, TCP/IP, UDP, RTP, RTSP, FTP, SMTP, DHCP, DNS, DDNS, NTP, uPnP, ONVIF, IPv4/v6
Browser	Internet Explorer (support up to IE 10), Chrome, Firefox, Safari
Security	Multi-level passwords /HTTP encryption

I/O Connector

Audio in/out Port	N/A
D I/O	DIX1, DOX1
RS485	N/A
Micro SD Card Slot	YES
RJ45	YES

Event Management

Event Trigger	Motion detection, DI
Notifications	Trigger alarm output, email/FTP and record video to PC or SD card
Post Recording	YES
Pre Recording	YES

Power

DC/AC	DC 12V terminal block
PoE	YES/IEEE 802.3af

General

Power Consumption	7 W max.
Weight	290g
Dimension	Φ 112.25mm x 76.35mm (H)
Operating Temp.	0°C~60°C/32°F~140°F
Humidity	90% RH (no condensation)
Certification	CE/FCC
Vandal Resistant	N/A
Weather Proof	N/A
Application	SDK available for application development

Packaging Information

NWT	290g
GWT	540g
Dimension	174mm(D) x 164mm(W) x 113mm(H)

Ordering Information

- ◆ NCI-311-R (P/N: 10HI0031100X0)



Main Features

- 3MP @20fps, Full HD 1080P @30fps
- Varifocal lens 3-10mm, F1.3
- Digital WDR
- Compact design
- Support 0°C ~ 60°C/32°F ~ 140°F



Product Overview

NEXCOM introduces new mini indoor dome IP camera offering outstanding 3MP image quality including support for vari-focal function. NCI-311 IP Camera, available in indoor using scenario, are suitable for building/small shop surveillance solution, Digital WDR can overcome variation light condition continued to provide crystal clear image output. It makes IP camera ideal for small medium business applications.

1080P @ 30 fps

NexCam supports high-performance H.264/MJPEG compression technology and offers extra smooth video at up to 30fps in 1080p. Furthermore, Video ROI [Region Of Interest] function reduce bandwidth and storage requirement, providing users with the best option in bandwidth flexibility and storage efficiency.

RICH I/O

NexCam's Rich I/O allows the users to have the advantages when connecting essential external devices such as strobe light, audio jack, micro SD card slot, DC 12V in order to achieve the best performance for any critical environments. It also allows the users to use Digital Input and Digital Output for the applications such alarm system.

Digital WDR

Digital Wide Dynamic Range is a feature in NCI-311 IP camera that incorporates techniques for handling a wide range of lighting conditions in a scene which with extremely bright and dark areas, a typical camera would produce an image where objects in the dark areas would hardly be visible. digital Wide Dynamic Range solves this by applying techniques such as using different exposures for different objects in a scene to enable objects in both bright and dark areas to be visible.

Compact Design

NexCam is available in a compact design with stylish, low profile, and discreet housing. It's ideal for residential, office, mall, and store used and of course not limited to. It's indeed a space-saving design that would be perfect for getting an excellent overview for any indoor scene.



Specifications

Camera General Information

Image Sensor	1/3" 3MP progressive scan CMOS sensor
Minimum Illumination	B/W 0.01 lux/Color 0.1 lux
Lens	varifocal (3-10mm, F1.3)
Field of View	Horizontal: 28.2°~87.3° Vertical: 21.4°~61.9° Diagonal: 34.6°~112.6°
Iris Type	DC-iris
Day and Night	YES (digital D/N)
IR Distance	N/A
IR Wavelength	N/A
IR Control	N/A
ICR	N/A
WDR	YES (DWDR)
Image Enhance	Brightness, Contrast, Saturation, Sharpness, Backlight compensation, Mirror, Flip, Day/Night, Anti-flicker

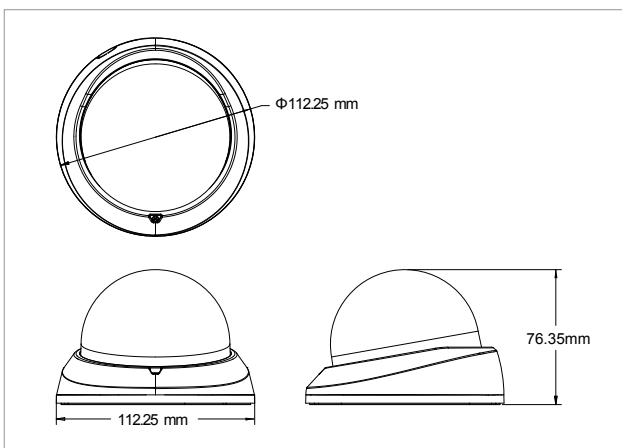
Video

Video Compression	H.264/M-JPEG
Video Streaming	Triple streaming H.264 Stream 1/H.264 Stream2/MJPEG Stream 3
Video Resolution	2048x1536 to 320x240
Video Quality	VBR/CBR
Frame Rate	2048x1536 @20 fps 1920x1080 @30 fps 1280x720 @30 fps 720x576 @30 fps 720x480 @30 fps 640x480 @30 fps 320x240 @30 fps

Audio

Audio Streaming	N/A
Audio Compression	N/A
Audio Input	N/A
Audio Output	N/A

Dimension Drawing



Network

Interface	10/100/1000 Mbps Ethernet, RJ-45
Supported Protocols	HTTP, TCP/IP, UDP, RTP, RTSP, FTP, SMTP, DHCP, DNS, DDNS, NTP, uPnP, ONVIF, IPv4/v6
Browser	Internet Explorer (support up to IE 10), Chrome, Firefox, Safari
Security	Multi-level passwords /HTTP encryption

I/O Connector

Audio in/out Port	N/A
D I/O	Dix1,DOx1
RS485	N/A
Micro SD Card Slot	YES
RJ45	YES

Event Management

Event Trigger	Motion detection, DI
Notifications	Trigger alarm output, email/FTP and record video to PC or SD card
Post Recording	YES
Pre Recording	YES

Power

DC/AC	DC12V terminal block
PoE	YES/IEEE 802.3af

General

Power Consumption	6 W max.
Weight	280g
Dimension	Φ 112.25mm x 76.35mm (H)
Operating Temp.	0°C~60°C/32°F ~ 140°F
Humidity	90% RH (no condensation)
Certification	CE/FCC
Vandal Resistant	N/A
Weather Proof	N/A
Application	SDK available for application development

Packaging Information

NWT	280g
GWT	540g
Dimension	174mm (D) x 164mm (W) x 113mm(H)

Ordering Information

- ◆ NCI-311 (P/N: 10HI0031101X0)



Main Features

- 3MP @20fps, Full 1080P @30fps
- Fixed lens 3.6mm F1.8 (option 2.8mm)
- DWDR
- Compact recessed in-ceiling design
- Support 0°C ~ 60°C/32°F ~ 140°F



Product Overview

NEXCOM introduces new mini recessed IP camera offering outstanding 3MP image quality including support for 3.6 mm fix-focus function. NCI-312 IP Camera, available in indoor using scenario, are suitable for building/small shop surveillance solution. Digital WDR can overcome variation light condition continued to provide crystal clear image output. Compact design makes IP camera ideal for all kind of discreet working environments.

1080P @ 30 fps

NexCam supports high-performance H.264/MJPEG compression technology and offers extra smooth video at up to 30fps in 1080p. Furthermore, Video ROI [Region Of Interest] function reduce bandwidth and storage requirement, providing users with the best option in bandwidth flexibility and storage efficiency.

Digital WDR

Digital Wide Dynamic Range is a feature in NCI-312 IP cameras that incorporates techniques for handling a wide range of lighting conditions in a scene which with extremely bright and dark areas, a typical camera would produce an image where objects in the dark areas would hardly be visible. Digital Wide Dynamic Range solves this by applying techniques such as using different exposures for different objects in a scene to enable objects in both bright and dark areas to be visible.

Compact Design

NexCam is available in a compact design with stylish, low profile, and discreet housing. It's ideal for residential, office, mall, and store used and of course not limited to. It's indeed a space-saving design that would be perfect for getting an excellent overview for any indoor scene.



Conventional



NEXCOM

Specifications

Camera General Information

Image Sensor	1/3" 3MP progressive scan CMOS sensor
Minimum Illumination	B/W 0.05 lux/Color 0.1 lux
Lens	Fix Lens 3.6mm F1.8, option 2.8mm F2.0
Field of View	diagonal 75°/horizontal 55°/vertical 93°
Iris Type	Fixed Iris
Day and Night	YES (Digital D/N)
IR Distance	N/A
IR Wavelength	N/A
IR Control	N/A
ICR	N/A
WDR	YES (DWDR)
Image Enhance	Brightness, Contrast, Saturation, Sharpness, Backlight compensation, Mirror, Flip, Day/Night, Anti-flicker

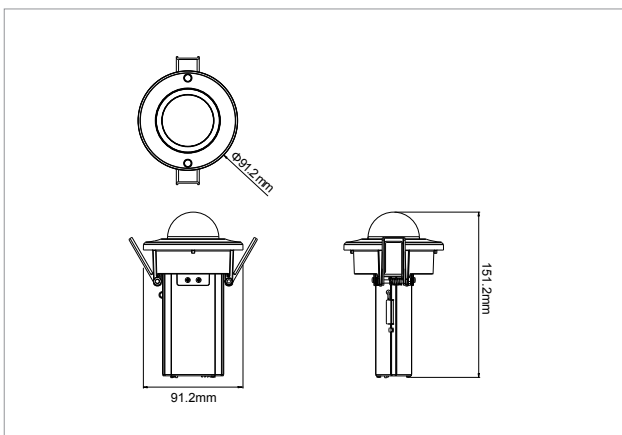
Video

Video Compression	H.264/M-JPEG
Video Streaming	Triple streaming H.264 Stream 1/H.264 Stream 2/MJPEG Stream 3
Video Resolution	2048x1536 to 320x240
Video Quality	VBR/CBR
Frame Rate	2048x1536 @20 fps 1920x1080 @30 fps 1280x720 @30 fps 720x576 @30 fps 720x480 @30 fps 640x480 @30 fps 320x240 @30 fps

Audio

Audio Streaming	N/A
Audio Compression	N/A
Audio Input	N/A
Audio Output	N/A

Dimension Drawing



Network

Interface	10/100/1000 Mbps Ethernet, RJ-45
Supported Protocols	HTTP, TCP/IP, UDP, RTP, RTSP, FTP, SMTP, DHCP, DNS, DDNS, NTP, uPnP, ONVIF, IPv4/v6
Browser	Internet Explorer (support up to IE 10), Chrome, Firefox, Safari
Security	Multi-level passwords /HTTP encryption

I/O Connector

Audio in/out Port	N/A
D I/O	DIX1, DOx1
RS485	N/A
Micro SD Card Slot	YES
RJ45	YES

Event Management

Event Trigger	Motion detection, DI
Notifications	Trigger alarm output, email/FTP and record video to PC or SD card
Post Recording	YES
Pre Recording	YES

Power

DC/AC	DC12V terminal block
PoE	YES/IEEE 802.3af

General

Power Consumption	6 W max.
Weight	320g
Dimension	Φ 91.2mm x 151.2mm (H)
Operating Temp.	0°C ~ 60°C/32°F ~ 140°F
Humidity	90% RH (no condensation)
Certification	CE/FCC
Vandal Resistant	N/A
Weather Proof	N/A
Application	SDK available for application development

Packaging Information

NWT	320g
GWT	570g
Dimension	214mm (D) x 129mm (W) x 128mm (H)

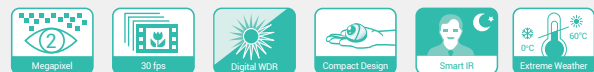
Ordering Information

- ◆ NCI-312 (P/N: 10HI0031200X0)
- ◆ NCI-312-2 (P/N: 10HI0031201X0)(2.8mm Lens)



Main Features

- Full HD 1080P @30fps
- Varifocal lens 3-10mm, F1.3
- Digital WDR
- Compact design
- Smart IR with 15M
- Support 0°C ~ 60°C/32°F ~ 140°F



Product Overview

NEXCOM introduces new mini indoor dome IP camera offering outstanding 2MP image quality including support for vari-focal function. NCI-211-R IP Camera, available in indoor using scenario, are suitable for building/small shop surveillance solution, digital WDR/smart IR can overcome variation light condition continued to provide crystal clear image output. It makes IP camera ideal for all kind of extremely working behaviors.

1080P @ 30 fps

NexCam supports high-performance H.264/MJPEG compression technology and offers extra smooth video at up to 30 fps in 1080p. Furthermore, Video ROI [Region Of Interest] function reduce bandwidth and storage requirement, providing users with the best option in bandwidth flexibility and storage efficiency.

Smart IR

Smart IR is superior to the traditional IR by automatically adjusting IR output in response to the distance of the object in view. The closer the object, the dimmer the IR will be. This will avoid object over-exposure commonly seen in cameras using traditional IR functions. Over-exposure makes it almost impossible to accurately recognize human faces or other vital characteristics.

Digital WDR

Digital Wide Dynamic Range is a feature in NCI-211-R IP cameras that incorporates techniques for handling a wide range of lighting conditions in a scene which with extremely bright and dark areas, a typical camera would produce an image where objects in the dark areas would hardly be visible. Digital Wide Dynamic Range solves this by applying techniques such as using different exposures for different objects in a scene to enable objects in both bright and dark areas to be visible.

Compact Design

NexCam is available in a compact design with stylish, low profile, and discreet housing. It's ideal for residential, office, mall, and store used and of course not limited to. It's indeed a space-saving design that would be perfect for getting an excellent overview for any indoor scene.



Specifications

Camera General Information

Image Sensor	1/3" 2MP progressive scan CMOS sensor
Minimum Illumination	B/W 0 lux/Color 0.1 lux
Lens	Varifocal (3-10mm, F1.3)
Field of View	Horizontal: 26.4°~79.5° Vertical: 15.7°~43.6° Diagonal: 31.8°~93.1°
Iris Type	DC-iris
Day and Night	YES
IR Distance	Effective up to 15 meter
IR Wavelength	850nm (15 pcs Φ 5.0 IR-LED)
IR Control	Smart IR
ICR	YES
WDR	YES (DWDR)
Image Enhance	Brightness, Contrast, Saturation, Sharpness, Backlight compensation, Mirror, Flip, Day/Night, Anti-flicker

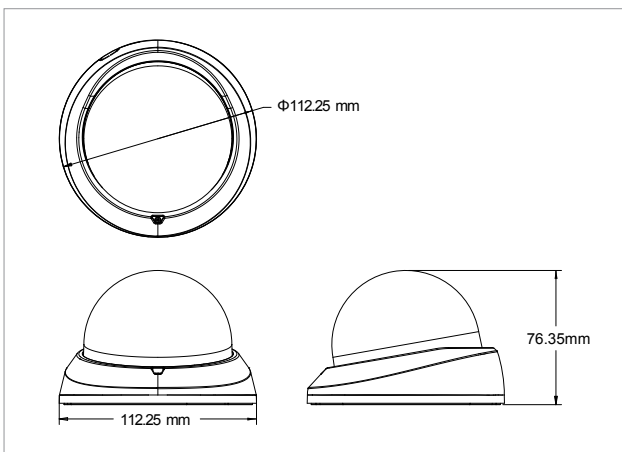
Video

Video Compression	H.264/M-JPEG
Video Streaming	Triple streaming H.264 Stream 1/H.264 Stream 2/MJPEG Stream 3
Video Resolution	1920x1080 to 320x240
Video Quality	VBR/CBR
Frame Rate	1920x1080 @30 fps 1280x720 @30 fps 720x576 @30 fps 720x480 @30 fps 640x480 @30 fps 320x240 @30 fps

Audio

Audio Streaming	N/A
Audio Compression	N/A
Audio Input	N/A
Audio Output	N/A

Dimension Drawing



Network

Interface	10/100/1000 Mbps Ethernet, RJ-45
Supported Protocols	HTTP, TCP/IP, UDP, RTP, RTSP, FTP, SMTP, DHCP, DNS, DDNS, NTP, uPnP, ONVIF, IPv4/v6
Browser	Internet Explorer (support up to IE 10), Chrome, Firefox, Safari
Security	Multi-level passwords /HTTP encryption

I/O Connector

Audio in/out Port	N/A
D I/O	DIX1, DOx1
RS485	N/A
Micro SD Card Slot	YES
RJ45	YES

Event Management

Event Trigger	Motion detection, DI
Notifications	Trigger alarm output, email/FTP and record video to PC or SD card
Post Recording	YES
Pre Recording	YES

Power

DC/AC	DC 12V terminal block
PoE	YES/IEEE 802.3af

General

Power Consumption	7 W max.
Weight	290g
Dimension	Φ 112.25mm x 76.35mm (H)
Operating Temp.	0°C ~ 60°C/32°F ~ 140°F
Humidity	90% RH (no condensation)
Certification	CE/FCC
Vandal Resistant	N/A
Weather Proof	N/A
Application	SDK available for application development

Packaging Information

NWT	290g
GWT	540g
Dimension	174mm (D) x 164mm (W) x 113mm (H)

Ordering Information

- NCI-211-R (P/N: 10HI0021101X0)



Main Features

- Full HD 1080P @30fps
- Varifocal lens 3-10mm, F1.3
- Digital WDR
- Compact design
- Support 0°C ~ 60°C/32°F ~ 140°F



Product Overview

NEXCOM introduces new mini indoor dome IP camera offering outstanding 2MP image quality including support for vari-focal function. NCI-211 IP Camera, available in indoor using scenario, are suitable for building/small shop surveillance solution, Digital WDR can overcome variation light condition continued to provide crystal clear image output. It makes IP camera ideal for small medium business applications.

1080P @ 30 fps

NexCam supports high-performance H.264/MJPEG compression technology and offers extra smooth video at up to 30fps in 1080p. Furthermore, Video ROI [Region Of Interest] function reduce bandwidth and storage requirement, providing users with the best option in bandwidth flexibility and storage efficiency.

RICH I/O

NexCam's Rich I/O allows the users to have the advantages when connecting essential external devices such as strobe light, audio jack, micro SD card slot, DC 12V in order to achieve the best performance for any critical environments. It also allows the users to use Digital Input and Digital Output for the applications such alarm system.

Digital WDR

Digital Wide Dynamic Range is a feature in NCI-211 IP camera that incorporates techniques for handling a wide range of lighting conditions in a scene which with extremely bright and dark areas, a typical camera would produce an image where objects in the dark areas would hardly be visible. digital Wide Dynamic Range solves this by applying techniques such as using different exposures for different objects in a scene to enable objects in both bright and dark areas to be visible.

Compact Design

NexCam is available in a compact design with stylish, low profile, and discreet housing. It's ideal for residential, office, mall, and store used and of course not limited to. It's indeed a space-saving design that would be perfect for getting an excellent overview for any indoor scene.



Specifications

Camera General Information

Image Sensor	1/3" 2MP progressive scan CMOS sensor
Minimum Illumination	B/W 0.01 lux/Color 0.1 lux
Lens	Varifocal (3-10mm, F1.3)
Field of View	Horizontal: 26.4°~79.5° Vertical: 15.7°~43.6° Diagonal: 31.8°~93.1°
Iris Type	DC-iris
Day and Night	YES (digital D/N)
IR Distance	N/A
IR Wavelength	N/A
IR Control	N/A
ICR	N/A
WDR	YES (DWDR)
Image Enhance	Brightness, Contrast, Saturation, Sharpness, Backlight compensation, Mirror, Flip, Day/Night, Anti-flicker

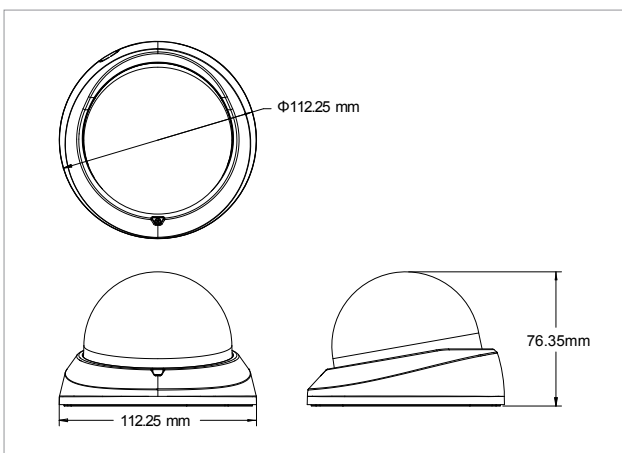
Video

Video Compression	H.264/M-JPEG
Video Streaming	Triple streaming H.264 Stream 1/H.264 Stream2/MJPEG Stream 3
Video Resolution	1920x1080 to 320x240
Video Quality	VBR/CBR
Frame Rate	1920x1080 @30 fps 1280x720 @30 fps 720x576 @30 fps 720x480 @30 fps 640x480 @30 fps 320x240 @30 fps

Audio

Audio Streaming	N/A
Audio Compression	N/A
Audio Input	N/A
Audio Output	N/A

Dimension Drawing



Network

Interface	10/100/1000 Mbps Ethernet, RJ-45
Supported Protocols	HTTP, TCP/IP, UDP, RTP, RTSP, FTP, SMTP, DHCP, DNS, DDNS, NTP, uPnP, ONVIF, IPv4/v6
Browser	Internet Explorer (support up to IE 10), Chrome, Firefox, Safari
Security	Multi-level passwords /HTTP encryption

I/O Connector

Audio in/out Port	N/A
D I/O	DIX1,DOx1
RS485	N/A
Micro SD Card Slot	YES
RJ45	YES

Event Management

Event Trigger	Motion detection, DI
Notifications	Trigger alarm output, email/FTP and record video to PC or SD card
Post Recording	YES
Pre Recording	YES

Power

DC/AC	DC12V terminal block
PoE	YES/IEEE 802.3af

General

Power Consumption	6 W max.
Weight	280g
Dimension	Φ 112.25mm x 76.35mm (H)
Operating Temp.	0°C ~ 60°C/32°F ~ 140°F
Humidity	90% RH (no condensation)
Certification	CE/FCC
Vandal Resistant	N/A
Weather Proof	N/A
Application	SDK available for application development

Packaging Information

NWT	280g
GWT	540g
Dimension	174mm (D) x 164mm (W) x 113mm (H)

Ordering Information

- ◆ NCI-211(P/N: 10HI0021100X0)



Main Features

- Full 1080P @30fps
- Fixed lens 3.6mm F1.8 (option 2.8mm)
- DWDR
- Compact recessed in-ceiling design
- Support 0°C ~ 60°C/32°F ~ 140°F



Product Overview

NEXCOM introduces new mini recessed IP camera offering outstanding 2MP image quality including support for 3.6 mm fix-focus function. NCI-212 IP Camera, available in indoor using scenario, are suitable for building/small shop surveillance solution. Digital WDR can overcome variation light condition continued to provide crystal clear image output. Compact design makes IP camera ideal for all kind of discreet working environments.

1080P @ 30 fps

NexCam supports high-performance H.264/MJPEG compression technology and offers extra smooth video at up to 30fps in 1080p. Furthermore, Video ROI [Region Of Interest] function reduce bandwidth and storage requirement, providing users with the best option in bandwidth flexibility and storage efficiency.

Digital WDR

Digital Wide Dynamic Range is a feature in NCI-212 IP cameras that incorporates techniques for handling a wide range of lighting conditions in a scene which with extremely bright and dark areas, a typical camera would produce an image where objects in the dark areas would hardly be visible. Digital Wide Dynamic Range solves this by applying techniques such as using different exposures for different objects in a scene to enable objects in both bright and dark areas to be visible.

Compact Design

NexCam is available in a compact design with stylish, low profile, and discreet housing. It's ideal for residential, office, mall, and store used and of course not limited to. It's indeed a space-saving design that would be perfect for getting an excellent overview for any indoor scene.



Conventional



NEXCOM

Specifications

Camera General Information

Image Sensor	1/3" 3MP progressive scan CMOS sensor
Minimum Illumination	B/W 0.05 lux/Color 0.1 lux
Lens	Fix Lens 3.6mm F1.8, option 2.8mm F2.0
Field of View	diagonal 75°/horizontal 55°/vertical 93°
Iris Type	Fixed Iris
Day and Night	YES (Digital D/N)
IR Distance	N/A
IR Wavelength	N/A
IR Control	N/A
ICR	N/A
WDR	YES (DWDR)
Image Enhance	Brightness, Contrast, Saturation, Sharpness, Backlight compensation, Mirror, Flip, Day/Night, Anti-flicker

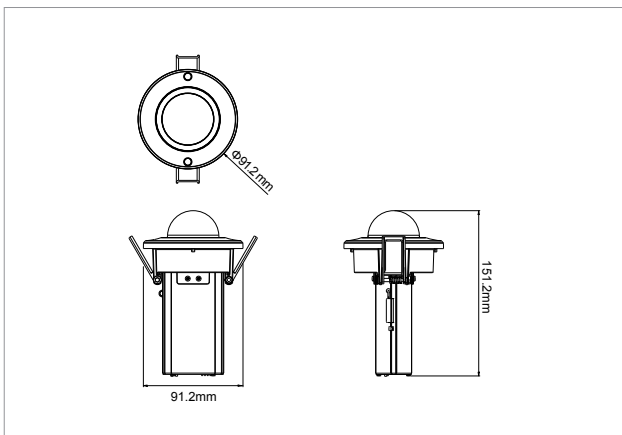
Video

Video Compression	H.264/M-JPEG
Video Streaming	Triple streaming H.264 Stream 1/H.264 Stream 2/MJPEG Stream 3
Video Resolution	1920x1080 to 320x240
Video Quality	VBR/CBR
Frame Rate	1920x1080 @30 fps 1280x720 @30 fps 720x576 @30 fps 720x480 @30 fps 640x480 @30 fps 320x240 @30 fps

Audio

Audio Streaming	N/A
Audio Compression	N/A
Audio Input	N/A
Audio Output	N/A

Dimension Drawing



Network

Interface	10/100/1000 Mbps Ethernet, RJ-45
Supported Protocols	HTTP, TCP/IP, UDP, RTP, RTSP, FTP, SMTP, DHCP, DNS, DDNS, NTP, uPnP, ONVIF, IPv4/v6
Browser	Internet Explorer (support up to IE 10), Chrome, Firefox, Safari
Security	Multi-level passwords /HTTP encryption

I/O Connector

Audio in/out Port	N/A
D I/O	Dlx1, DOx1
RS485	N/A
Micro SD Card Slot	YES
RJ45	YES

Event Management

Event Trigger	Motion detection, DI
Notifications	Trigger alarm output, email/FTP and record video to PC or SD card
Post Recording	YES
Pre Recording	YES

Power

DC/AC	DC12V terminal block
PoE	YES/IEEE 802.3af

General

Power Consumption	6 W max.
Weight	320g
Dimension	Φ 91.2mm x 151.2mm (H)
Operating Temp.	0°C ~ 60°C/32°F ~ 140°F
Humidity	90% RH (no condensation)
Certification	CE/FCC
Vandal Resistant	N/A
Weather Proof	N/A
Application	SDK available for application development

Packaging Information

NWT	320g
GWT	570g
Dimension	214mm (D) x 129 mm (W) x 128mm (H)

Ordering Information

- ◆ NCI-212 (P/N: 10HI0021200X0)
- ◆ NCI-212-2(P/N: 10HI0021201X0) (2.8mm Lens)



Main Features

- 3MP @30fps, Full HD 1080P @60fps
- Motorized lens 3-10mm, F1.4
- Advance P-Iris
- 100dB True WDR
- Micro SD card slot
- Support -20°C ~ 60°C/-4°F ~ 140°F



Product Overview

NEXCOM introduces new box type IP camera offering outstanding 3MP image quality, including support for zoom focus function. NCB-301 IP Camera, available in indoor and outdoor using scenario, are suitable for building small shop surveillance solution. True WDR can overcome variation light condition continued to provide crystal clear image output. It makes IP camera ideal for all kind of extremely working behavior.

Megapixel @ 60 fps

NexCam supports high-performance H.264/MJPEG compression technology and offers extra smooth video at up to 60 fps in 1080p, and 30fps @ 3MP. Furthermore, Video ROI [Region Of Interest] function reduce bandwidth and storage requirement, providing users with the best option in bandwidth flexibility and storage efficiency.



Zoom Focus

Zoom focus function allows users to remotely control focus and zoom to simplify installation and reduce labor cost. 3-10 mm focal length is available with feed-back potentiometers for auto-positioning applications. Post-installation adjustment can be done quickly and painlessly, without the need to tear down and reinstall the camera.

True WDR

The True WDR (Wide Dynamic Range) feature can be very helpful to cope with very challenging lighting conditions. It is capable of capturing both of the dark part and bright part then combining the differences into a scene to generate a highly realistic image. It preserves as much information in the video as possible, the NexCam True WDR IP Camera helps providing video quality closer to the capabilities of the human eye. Consequently, it is largely applied in high contrast environments such as lobby entrances, parking lots, ATM's and loading areas.

P-Iris

P-iris function works by a stepping motor controlled via software to automatically provide the best iris position for best exposure time in all lighting conditions. The Result is a clearer image with better contrast and depth of field.

Specifications

Camera General Information

Image Sensor	1/3" 3MP True WDR progressive scan CMOS sensor
Minimum Illumination	B/W 0.01 lux/Color 0.1 lux
Lens	Motorized (3-10mm, F1.4) lens
Field of View	Horizontal: 33.6°~81.9° Vertical: 25.5°~62.6° Diagonal: 42.6°~103.1°
Iris Type	P-Iris
Day and Night	YES (True D/N)
IR Distance	N/A
IR Wavelength	N/A
IR Control	N/A
ICR	YES
WDR	YES
Image Enhance	Brightness, Contrast, Saturation, Sharpness, Backlight compensation, Mirror, Flip, Day/Night, Anti-flicker

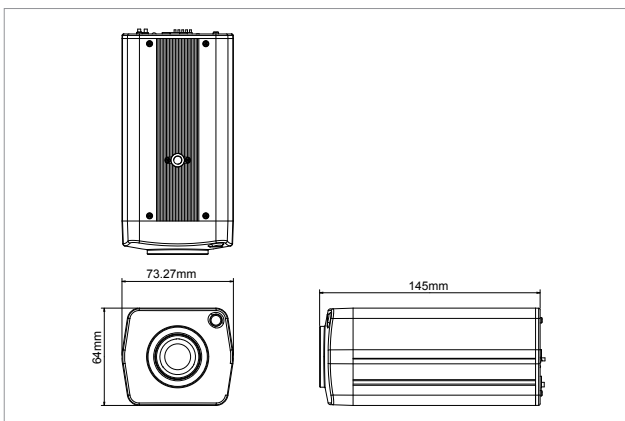
Video

Video Compression	H.264/M-JPEG
Video Streaming	Triple streaming H.264 Stream 1/H.264 Stream 2/MJPEG Stream 3
Video Resolution	2048x1536 to 320x240
Video Quality	VBR/CBR
Frame Rate	2048x1536 @30 fps 1920x1080 @60 fps 1280x720 @30 fps 720x576 @30 fps 720x480 @30 fps 640x480 @30 fps 320x240 @30 fps

Audio

Audio Streaming	Two-way
Audio Compression	G.711 8KHz/16bit
Audio Input	Line-in
Audio Output	Line-out

Dimension Drawing



Network

Interface	10/100/1000 Mbps Ethernet, RJ-45
Supported Protocols	HTTP, TCP/IP, UDP, RTP, RTSP, FTP, SMTP, DHCP, DNS, DDNS, NTP, uPnP, ONVIF, IPv4/v6
Browser	Internet Explorer (support up to IE 10), Chrome, Firefox, Safari
Security	Multi-level passwords /HTTP encryption

I/O Connector

Audio in/out Port	3.5 mm phone jack x1
D I/O	Dlx1, DOx1
RS485	N/A
Micro SD Card Slot	YES
RJ45	YES

Event Management

Event trigger	Motion detection, DI
Notifications	Trigger alarm output, email/FTP and record video to PC or SD card
Post Recording	YES
Pre Recording	YES

Power

DC/AC	DC12V/AC 24V terminal block
PoE	YES/IEEE 802.3at (PoE+)

General

Power Consumption	10W max.
Weight	650g
Dimension	145mm (D) x 73.27mm (W) x 64mm (H)
Operating Temp.	-20°C ~ 60°C/-4°F ~ 140°F
Humidity	90%RH(no condensation)
Certification	CE/FCC
Vandal Resistant	N/A
Weather Proof	with housing
Application	SDK available for application development

Packaging Information

NWT	650g
GWT	TBA
Dimension	TBA

Ordering Information

- ◆ NCB-301 (P/N: 10HB0030100X0)



Main Features

- 3MP @20fps, Full HD1080P @30fps,
- Digital WDR
- DC iris
- Micro SD card slot
- Support -20°C ~ 60°C/-4°F ~ 140°F
- Lens optional

ONVIF



Product Overview

NEXCOM introduces new CS mount box type IP camera offering outstanding 3MP image quality. NCb-311 IP Camera ,available in indoor and outdoor using scenario, are suitable for building /small shop surveillance solution, Digital WDR can overcome variation light condition continue to provide crystal clear image output. It makes IP camera ideal for all kind of extremely working behavior.

1080P @ 30 fps

NexCam supports high-performance H.264/MJPEG compression technology and offers extra smooth video at up to 30fps in 1080p. Furthermore, Video ROI [Region Of Interest] function reduce bandwidth and storage requirement, providing users with the best option in bandwidth flexibility and storage efficiency.

Digital WDR (DWDR)

Digital Wide Dynamic Range is a feature in NCb-311 IP cameras that incorporates techniques for handling a wide range of lighting conditions in a scene which with extremely bright and dark areas , a typical camera would produce an image where objects in the dark areas would hardly be visible. Digital Wide Dynamic Range solves this by applying techniques such as using different exposures for different objects in a scene to enable objects in both bright and dark areas to be visible

RICH I/O

NexCam's Rich I/O allows the users to have the advantages when connecting essential external devices such as strobe light, audio jack, micro SD card slot, DC 12V & AC 24V in order to achieve the best performance for any critical environments. It also allows the users to use Digital Input and Digital Output for the applications such as alarm system.

Specifications

Camera General Information

Image Sensor	1/3" 3MP progressive scan CMOS sensor
Minimum Illumination	B/W 0.01 lux/Color 0.1 lux
Lens	CS mount
Field of View	N/A
Iris Type	DC-Iris
Day and Night	YES (True D/N)
IR Distance	N/A
IR Wavelength	N/A
IR Control	N/A
ICR	YES
WDR	YES (DWDR)
Image Enhance	Brightness, Contrast, Saturation, Sharpness, Backlight compensation, Mirror, Flip, Day/Night, Anti-flicker

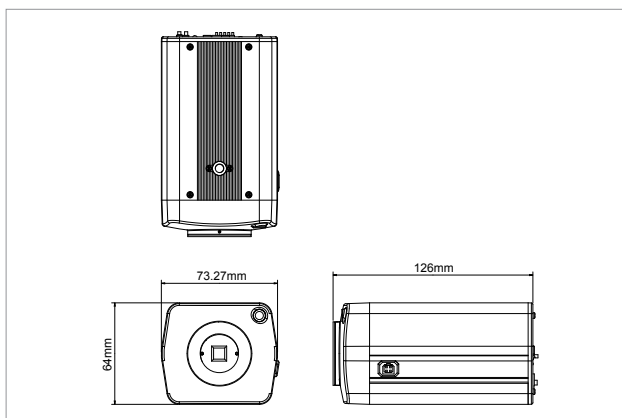
Video

Video Compression	H.264/M-JPEG
Video Streaming	Triple streaming H.264 Stream 1/H.264 Stream 2/MJPEG Stream 3
Video Resolution	2048x1536 to 320x240
Video Quality	VBR/CBR
Frame Rate	2048x1536 @20 fps 1920x1080 @30 fps 1280x720 @30 fps 720x576 @30 fps 720x480 @30 fps 640x480 @30 fps 320x240 @30 fps

Audio

Audio Streaming	Two-way
Audio Compression	G.711 8KHz/16bit
Audio Input	Line-in
Audio Output	Line-out

Dimension Drawing



Network

Interface	10/100/1000 Mbps Ethernet, RJ-45
Supported Protocols	HTTP, TCP/IP, UDP, RTP, RTSP, FTP, SMTP, DHCP, DNS, DDNS, NTP, uPnP, ONVIF, IPv4/v6
Browser	Internet Explorer (support up to IE 10), Chrome, Firefox, Safari
Security	Multi-level passwords/HTTP encryption

I/O Connector

Audio in/out Port	3.5 mm phone jack x1
D I/O	Dlx1, DOx1
RS485	N/A
Micro SD Card Slot	YES
RJ45	YES

Event Management

Event trigger	Motion detection, DI
Notifications	Trigger alarm output, email/FTP and record video to PC or SD card
Post Recording	YES
Pre Recording	YES

Power

DC/AC	DC12V/AC 24V terminal block
PoE	YES/IEEE 802.3at (PoE+)

General

Power Consumption	10W max.
Weight	470g
Dimension	126mm (D) x 73.27mm (W) x 64mm (H)
Operating Temp.	-20°C ~ 60°C/-4°F ~ 140°F
Humidity	90%RH (no condensation)
Certification	CE/FCC
Vandal Resistant	N/A
Weather Proof	with housing
Application	SDK available for application development

Packaging Information

NWT	470g
GWT	TBA
Dimension	TBA

Ordering Information

- ◆ NCB-311 (P/N: 10HB0031100X0)



Main Features

- Full HD1080P @30fps,
- Digital WDR
- DC iris
- Micro SD card slot
- Support -20°C ~ 60°C/-4°F ~ 140°F
- Lens optional



Product Overview

NEXCOM introduces new CS mount box type IP camera offering outstanding 2MP image quality. NCB-211 IP Camera ,available in indoor and outdoor using scenario, are suitable for building /small shop surveillance solution, Digital WDR can overcome variation light condition continue to provide crystal clear image output. It makes IP camera ideal for all kind of extremely working behavior.

1080P @ 30 fps

NexCam supports high-performance H.264/MJPEG compression technology and offers extra smooth video at up to 30fps in 1080p. Furthermore, Video ROI [Region Of Interest] function reduce bandwidth and storage requirement, providing users with the best option in bandwidth flexibility and storage efficiency.

Digital WDR (DWDR)

Digital Wide Dynamic Range is a feature in NCB-211 IP cameras that incorporates techniques for handling a wide range of lighting conditions in a scene which with extremely bright and dark areas , a typical camera would produce an image where objects in the dark areas would hardly be visible. Digital Wide Dynamic Range solves this by applying techniques such as using different exposures for different objects in a scene to enable objects in both bright and dark areas to be visible.

RICH I/O

NexCam's Rich I/O allows the users to have the advantages when connecting essential external devices such as strobe light, audio jack, micro SD card slot, DC 12V & AC 24V in order to achieve the best performance for any critical environments. It also allows the users to use Digital Input and Digital Output for the applications such as alarm system.

Specifications

Camera General Information

Image Sensor	1/3" 2MP progressive scan CMOS sensor
Minimum Illumination	B/W 0.01 lux/Color 0.1 lux
Lens	CS mount
Field of View	N/A
Iris Type	DC-Iris
Day and Night	YES (True D/N)
IR Distance	N/A
IR Wavelength	N/A
IR Control	N/A
ICR	YES
WDR	YES (DWDR)
Image Enhance	Brightness, Contrast, Saturation, Sharpness, Backlight compensation, Mirror, Flip, Day/Night, Anti-flicker

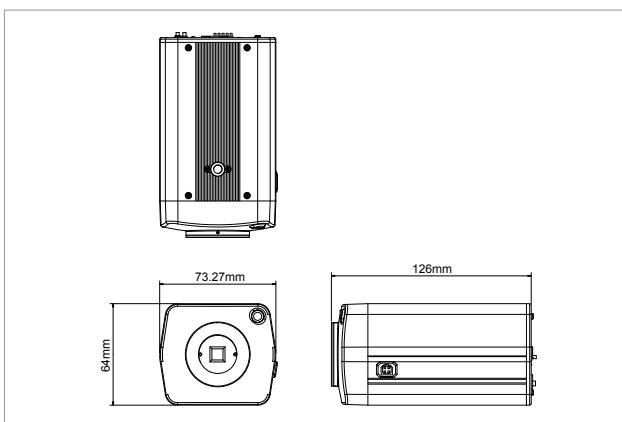
Video

Video Compression	H.264/M-JPEG
Video Streaming	Triple streaming H.264 Stream 1/H.264 Stream2/MJPEG Stream 3
Video Resolution	1920x1080 to 320x240
Video Quality	VBR/CBR
Frame Rate	1920x1080 @30 fps 1280x720 @30 fps 720x576 @30 fps 720x480 @30 fps 640x480 @30 fps 320x240 @30 fps

Audio

Audio Streaming	Two-way
Audio Compression	G.711 8KHz/16bit
Audio Input	Line-in
Audio Output	Line-out

Dimension Drawing



Network

Interface	10/100/1000 Mbps Ethernet, RJ-45
Supported Protocols	HTTP, TCP/IP, UDP, RTP, RTSP, FTP, SMTP, DHCP, DNS, DDNS, NTP, uPnP, ONVIF, IPv4/v6
Browser	Internet Explorer (support up to IE 10), Chrome, Firefox, Safari
Security	Multi-level passwords/HTTP encryption

I/O Connector

Audio in/out Port	3.5 mm phone jack x1
D I/O	Dlx1, DOx1
RS485	N/A
Micro SD Card Slot	YES
RJ45	YES

Event Management

Event trigger	Motion detection, DI
Notifications	Trigger alarm output, email/FTP and record video to PC or SD card
Post Recording	YES
Pre Recording	YES

Power

DC/AC	DC12V/AC 24V terminal block
PoE	YES/IEEE 802.3af

General

Power Consumption	10W max.
Weight	470g
Dimension	126mm (D) x 73.27mm (W) x 64mm (H)
Operating Temp.	-20°C ~ 60°C/-4°F ~ 140°F
Humidity	90%RH (no condensation)
Certification	CE/FCC
Vandal Resistant	N/A
Weather Proof	with housing
Application	SDK available for application development

Packaging Information

NWT	470g
GWT	TBA
Dimension	TBA

Ordering Information

- ◆ NCB-211 (P/N: 10HB0021100X0)



Main Features

- 3MP bullet camera
- 30fps@3MP, Full HD1080P @60fps
- Advance P-Iris
- 100 dB True WDR
- IK10 vandal resistant, IP66/IP67
- Support -40°C~60°C / -40°F~140°F

ONVIF



Product Overview

NEXCOM introduces new IR vandal bullet type IP camera, offering outstanding 3MP image quality including supports zoom focus function. NCR-302-VHR IP Camera, available in indoor and outdoor using scenario, are suitable for building surveillance solution, True WDR / smart IR can overcome variation light condition continued to provide crystal clear image output. IK8/IP66 makes IP camera ideal for all kind of extremely working behavior.

Megapixel @ 60 fps

NexCam supports high-performance H.264/MJPEG compression technology and offers extra smooth video at up to 60 fps at 1080p, and 30fps @ 3MP. Furthermore, Video ROI [Region Of Interest] function reduce bandwidth and storage requirement, providing users with the best option in bandwidth flexibility and storage efficiency.



Zoom Focus

Zoom focus function allows users to remotely control focus and zoom to simplify installation and reduce labor cost. 3-10 mm focal length is available with feed-back potentiometers for auto-positioning applications. Post-installation adjustment can be done quickly and painlessly, without the need to tear down and reinstall the camera.

True WDR

The True WDR (Wide Dynamic Range) feature can be very helpful to cope with very challenging lighting conditions. It is capable of capturing both of the dark part and bright part then combining the differences into a scene to generate a highly realistic image. It preserves as much information in the video as possible; the NexCam true WDR IP Camera helps to provide video quality closer to the capabilities of the human eye. Consequently, it is largely applied in high contrast environments such as lobby entrances, parking lots, ATM's and loading areas.

Smart IR

Smart IR is superior to the conventional IR by automatically adjusting IR strength in response to the distance of the object in view. The closer the object, the dimmer the IR will be. This will avoid object over-exposure commonly seen in cameras using conventional IR functions. Over-exposure makes it almost impossible to accurately recognize human faces or other vital characteristics.

P-Iris

P-iris function works by a stepping motor controlled via software to automatically provide the best iris position for best exposure time in all lighting conditions. The Result is a clearer image with better contrast and depth of field.

Specifications

Camera General Information

Image Sensor	1/3" 3MP True WDR progressive scan CMOS sensor
Minimum Illumination	B/W 0 lux/Color 0.1 lux
Lens	Motorized (3-10mm, F1.4) lens
Field of View	Horizontal: 33.6°~81.9° Vertical: 25.5°~62.6° Diagonal: 42.6°~103.1°
Iris Type	P-Iris
Day and Night	YES (True D/N)
IR Distance	Effective up to 30 meters
IR Wavelength	850nm
IR Control	Smart IR
ICR	YES
WDR	YES (True WDR)
Image Enhance	Brightness, Contrast, Saturation, Sharpness, Mirror, Flip, Day/Night, Anti-flicker,AWB

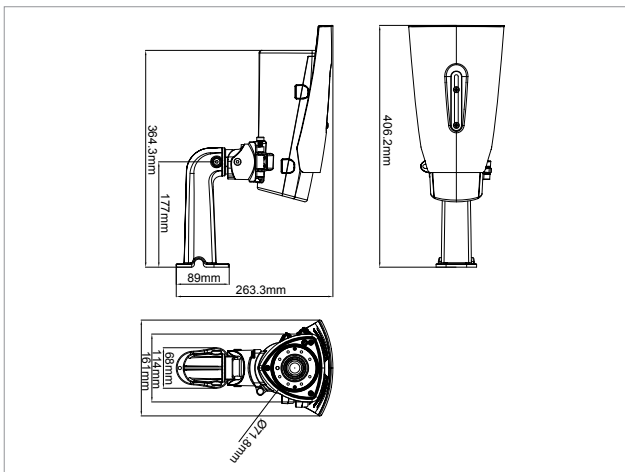
Video

Video Compression	H.264/M-JPEG
Video Streaming	Triple streaming
Video Resolution	2048x1536 to 320x240
Video Quality	VBR/CBR
Frame Rate	2048x1536 @30 fps 1920x1080 @60 fps 1280x720 @30 fps 720x576 @30 fps 720x480 @30 fps 640x480 @30 fps 320x240 @30 fps

Audio

Audio Streaming	Two-way
Audio Compression	G.711 8KHz/16 bits
Audio Input	Line-in
Audio Output	Line-out

Dimension Drawing



Network

Interface	10/100/1000 Mbps Ethernet, RJ-45
Supported Protocols	HTTP, TCP/IP, UDP, RTP, RTSP, FTP, SMTP, DHCP, DNS, DDNS, NTP, uPnP, ONVIF, IPv4/v6
Browser	Internet Explorer (support up to IE 10), Chrome, Firefox, Safari
Security	Multi-level passwords/HTTP encryption

I/O Connector

Audio in/ out Port	3.5 mm phone jack x1
D I/O	DIX1, DOx1
RS485	N/A
Micro SD Card Slot	YES
RJ45	YES

Event Management

Event Trigger	Motion detection, DI
Notifications	Trigger alarm output, email/ FTP and record video to PC or SD card
Post Recording	YES
Pre Recording	YES

Power

DC/AC	DC12V/AC 24V terminal block
PoE	YES/IEEE 802.3at (PoE+)

General

Power Consumption	14.3W max.
Weight	2005g
Dimension	406.2mm (D) x 161mm (W) x 263.3mm (H)
Operating Temp.	-40°C~60°C /-40°F~140°F
Humidity	90%RH (no condensation)
Certification	CE/FCC
Vandal Resistant	IK10
Weather Proof	IP66/IP67
Application	SDK available for application development

Packaging Information

NWT	2005g
GWT	2091g
Dimension	311mm (D) x 286mm (W) x 178mm (H)

Accessory

- TBD

Ordering Information

- NCr-302-VHR (P/N: 10HR0030200X0)



Main Features

- 3MP bullet camera
- 30fps@3MP, Full HD1080P @60fps
- Advance P-Iris
- 100 dB True WDR
- IK10 vandal resistant, IP66/IP67
- Support -40°C~60°C / -40°F~140°F



Product Overview

NEXCOM introduces new IR vandal bullet type IP camera, offering outstanding 3MP image quality including supports zoom focus function. NCr-303-VHR IP Camera, available in indoor and outdoor using scenario, are suitable for building surveillance solution, True WDR / smart IR can overcome variation light condition continued to provide crystal clear image output. IK8/IP66 makes IP camera ideal for all kind of extremely working behavior.

Megapixel @ 60 fps

NexCam supports high-performance H.264/MJPEG compression technology and offers extra smooth video at up to 60 fps at 1080p, and 30fps @ 3MP. Furthermore, Video ROI [Region Of Interest] function reduce bandwidth and storage requirement, providing users with the best option in bandwidth flexibility and storage efficiency.



Zoom Focus

Zoom focus function allows users to remotely control focus and zoom to simplify installation and reduce labor cost. 9-22 mm focal length is available with feed-back potentiometers for auto-positioning applications. Post-installation adjustment can be done quickly and painlessly, without the need to tear down and reinstall the camera.

True WDR

The True WDR (Wide Dynamic Range) feature can be very helpful to cope with very challenging lighting conditions. It is capable of capturing both of the dark part and bright part then combining the differences into a scene to generate a highly realistic image. It preserves as much information in the video as possible; the NexCam true WDR IP Camera helps to provide video quality closer to the capabilities of the human eye. Consequently, it is largely applied in high contrast environments such as lobby entrances, parking lots, ATM's and loading areas.

Smart IR

Smart IR is superior to the conventional IR by automatically adjusting IR strength in response to the distance of the object in view. The closer the object, the dimmer the IR will be. This will avoid object over-exposure commonly seen in cameras using conventional IR functions. Over-exposure makes it almost impossible to accurately recognize human faces or other vital characteristics.

P-Iris

P-iris function works by a stepping motor controlled via software to automatically provide the best iris position for best exposure time in all lighting conditions. The Result is a clearer image with better contrast and depth of field.

Specifications

Camera General Information

Image Sensor	1/3" 3MP True WDR progressive scan CMOS sensor
Minimum Illumination	B/W 0 lux/Color 0.1 lux
Lens	Motorized (9-22mm, F1.5) lens
Field of View	Horizontal: 12.5°~29.4° Vertical: 9.7°~24.8° Diagonal: 16.1°~36.5°
Iris Type	P-Iris
Day and Night	YES (True D/N)
IR Distance	Effective up to 50 meters
IR Wavelength	850nm
IR Control	Smart IR
ICR	YES
WDR	YES (True WDR)
Image Enhance	Brightness, Contrast, Saturation, Sharpness, Mirror, Flip, Day/Night, Anti-flicker,AWB

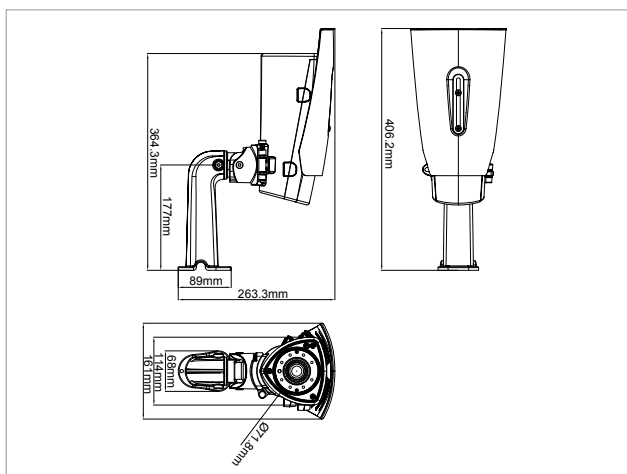
Video

Video Compression	H.264/M-JPEG
Video Streaming	Triple streaming
Video Resolution	2048x1536 to 320x240
Video Quality	VBR/CBR
Frame Rate	2048x1536 @30 fps 1920x1080 @60 fps 1280x720 @30 fps 720x576 @30 fps 720x480 @30 fps 640x480 @30 fps 320x240 @30 fps

Audio

Audio Streaming	Two-way
Audio Compression	G.711 8KHz/16 bits
Audio Input	Line-in
Audio Output	Line-out

Dimension Drawing



Network

Interface	10/100/1000 Mbps Ethernet, RJ-45
Supported Protocols	HTTP, TCP/IP, UDP, RTP, RTSP, FTP, SMTP, DHCP, DNS, DDNS, NTP, uPnP, ONVIF, IPv4/v6
Browser	Internet Explorer (support up to IE 10), Chrome, Firefox, Safari
Security	Multi-level passwords/HTTP encryption

I/O Connector

Audio in/ out Port	3.5 mm phone jack x1
D I/O	DIX1, DOx1
RS485	N/A
Micro SD Card Slot	YES
RJ45	YES

Event Management

Event Trigger	Motion detection, DI
Notifications	Trigger alarm output, email/FTP and record video to PC or SD card
Post Recording	YES
Pre Recording	YES

Power

DC/AC	DC12V/AC 24V terminal block
PoE	YES/IEEE 802.3at (PoE+)

General

Power Consumption	14.3W max.
Weight	2005g
Dimension	406.2mm (D) x 161mm (W) x 263.3mm (H)
Operating Temp.	-40°C~60°C /-40°F~140°F
Humidity	90%RH (no condensation)
Certification	CE/FCC
Vandal Resistant	IK10
Weather Proof	IP66/IP67
Application	SDK available for application development

Packaging Information

NWT	2005g
GWT	2091g
Dimension	311mm (D) x 286mm (W) x 178mm (H)

Accessory

- TBD

Ordering Information

- NCr-303-VHR (P/N: 10HR0030300X0)

NCR-312-OVR

3MP Mini Bullet Camera, Smart IR with 25M, DWDR



Main Features

- 3MP @20fps, Full HD 1080P @30fps
- DWDR
- Mini Bullet Design
- Smart IR with 25M
- Support -20°C ~ 60°C/-4°F ~ 140°F



Product Overview

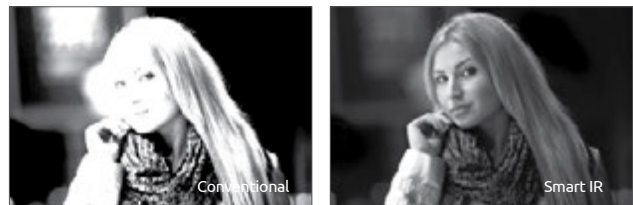
NEXCOM introduces new IR mini bullet type IP camera which is offering outstanding 3MP image quality. NCR-312-OVR, which is available for both indoor and outdoor working scenarios, is suitable for building surveillance solution, DWDR/Smart IR can overcome eviation light condition continued to provide crystal clear image output. IP67 makes IP camera ideal for all kind of extremely working behavior.

1080P @ 30 fps

NCR-312-OVR supports high-performance H.264/MJPEG compression technology and offers extra smooth video at up to 30 fps in 1080p. Furthermore, Video ROI [Region Of Interest] function reduce bandwidth and storage requirement, providing users with the best option in bandwidth flexibility and storage efficiency.

Smart IR

Smart IR is superior to the traditional IR by automatically adjusting IR output in response to the distance of the object in view. The closer the object, the dimmer the IR will be. This will avoid object over-exposure commonly seen in cameras using traditional IR functions. Over-exposure makes it almost impossible to accurately recognize human faces or other vital characteristics.



SR LED

Here's the comparison between conventional LED & SR LED

	SRLED	5ΦLED
QTY'	2	36
Effective distance	25M	25M
Power Consumption	0.45W	2W
Price	US 2/PCS	US 0.05/PCS
Lifetime	50000Hrs	5000~10000Hrs
Temperature	5°C~10°C	More than 10°C
Dimension	Smaller	Bigger

Specifications

Camera General Information

Image Sensor	1/3" 3MP progressive scan CMOS sensor
Minimum Illumination	B/W 0 lux/Color 0.1 lux
Lens	Fixed Lens 3.6mm F1.8(4.2mm / 6.0mm optional)
Field of View	diagonal 75°/horizontal 55°/vertical 93°
Iris Type	Fixed-Lens
Day and Night	YES
IR Distance	Effective up to 25 meter
IR Wavelength	850nm (2 pcs SR-LED)
IR Control	Smart IR
ICR	Yes
WDR	YES (DWDR)
Image Enhance	Brightness, Contrast, Saturation, Sharpness, Backlight compensation, Mirror, Flip, Day/Night, Anti-flicker

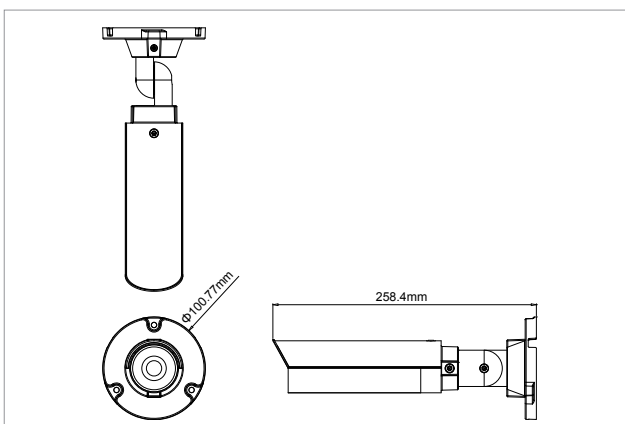
Video

Video Compression	H.264/M-JPEG
Video Streaming	Triple streaming
Video Resolution	2048x1536 to 320x240
Video Quality	VBR/CBR
Frame Rate	2048x1536 @20 fps
	1920x1080 @30 fps
	1280x720 @30 fps
	720x576 @30 fps
	720x480 @30 fps
	640x480 @30 fps 320x240 @30 fps

Audio

Audio Streaming	N/A
Audio Compression	N/A
Audio Input	N/A
Audio Output	N/A

Dimension Drawing



Network

Interface	10/100/1000 Mbps Ethernet, RJ-45
Supported Protocols	HTTP, TCP/IP, UDP, RTP, RTSP, FTP, SMTP, DHCP, DNS, DDNS, NTP, uPnP, ONVIF, IPv4/v6
Browser	Internet Explorer (support up to IE 10), Chrome, Firefox, Safari
Security	Multi-level passwords/HTTP encryption

I/O Connector

Audio in/out Port	N/A
D I/O	N/A
RS485	N/A
Micro SD Card Slot	N/A
RJ45	YES

Event Management

Event Trigger	Motion detection
Notifications	N/A
Post Recording	YES
Pre Recording	YES

Power

DC/AC	N/A
PoE	YES/IEEE 802.3af

General

Power Consumption	7W max.
Weight	660g
Dimension	324mm x 151mm x 152mm
Operating Temp.	-20°C ~ 60°C / -4°F ~ 140°F
Humidity	90%RH (no condensation)
Certification	CE/FCC
Vandal Resistant	N/A
Weather Proof	IP67
Application	SDK available for application development

Packaging Information

NWT	660g
GWT	920g
Dimension	324mm(D) x 151mm(W) x 152mm(H)

Ordering Information

- NCR-312-OVR (P/N: 10HR0031201X0)

NCR-212-OVR

2MP Mini Bullet Camera, Smart IR with 25M, DWDR



Main Features

- Full HD 1080P @30fps
- DWDR
- Mini Bullet Design
- Smart IR with 25M
- Support -20°C ~ 60°C/-4°F ~ 140°F



Product Overview

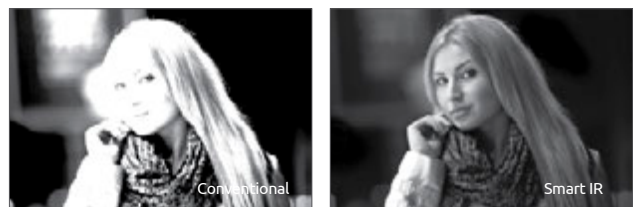
NEXCOM introduces new IR mini bullet type IP camera which is offering outstanding 2MP image quality. NCR-212-OVR, which is available for both indoor and outdoor working scenarios, is suitable for building surveillance solution, DWDR/Smart IR can overcome eviation light condition continued to provide crystal clear image output. IP67 makes IP camera ideal for all kind of extremely working behavior.

1080P @ 30 fps

NCR-212-OVR supports high-performance H.264/MJPEG compression technology and offers extra smooth video at up to 30 fps in 1080p. Furthermore, Video ROI [Region Of Interest] function reduce bandwidth and storage requirement, providing users with the best option in bandwidth flexibility and storage efficiency.

Smart IR

Smart IR is superior to the traditional IR by automatically adjusting IR output in response to the distance of the object in view. The closer the object, the dimmer the IR will be. This will avoid object over-exposure commonly seen in cameras using traditional IR functions. Over-exposure makes it almost impossible to accurately recognize human faces or other vital characteristics.



SR LED

Here's the comparison between conventional LED & SR LED

	SRLED	5ΦLED
QTY'	2	36
Effective distance	25M	25M
Power Consumption	0.45W	2W
Price	US 2/PCS	US 0.05/PCS
Lifetime	50000Hrs	5000~10000Hrs
Temperature	5°C~10°C	More than 10°C
Dimension	Smaller	Bigger

Specifications

Camera General Information

Image Sensor	1/3" 2MP progressive scan CMOS sensor
Minimum Illumination	B/W 0 lux/Color 0.1 lux
Lens	Fixed Lens 3.6mm F1.8(4.2mm / 6.0mm optional)
Field of View	diagonal 73°/horizontal 38°/vertical 80°
Iris Type	Fixed-Lens
Day and Night	YES
IR Distance	Effective up to 25 meter
IR Wavelength	850nm (2 pcs SR-LED)
IR Control	Smart IR
ICR	Yes
WDR	YES (DWDR)
Image Enhance	Brightness, Contrast, Saturation, Sharpness, Backlight compensation, Mirror, Flip, Day/Night, Anti-flicker

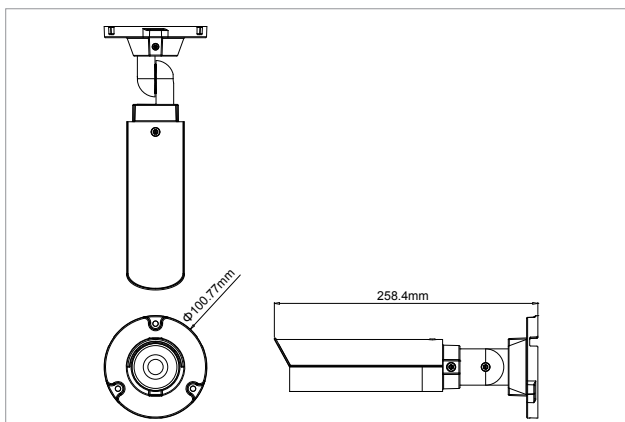
Video

Video Compression	H.264/M-JPEG
Video Streaming	Triple streaming
Video Resolution	1920x1080 to 320x240
Video Quality	VBR/CBR
Frame Rate	1920x1080 @30 fps 1280x720 @30 fps 720x576 @30 fps 720x480 @30 fps 640x480 @30 fps 320x240 @30 fps

Audio

Audio Streaming	N/A
Audio Compression	N/A
Audio Input	N/A
Audio Output	N/A

Dimension Drawing



Network

Interface	10/100/1000 Mbps Ethernet, RJ-45
Supported Protocols	HTTP, TCP/IP, UDP, RTP, RTSP, FTP, SMTP, DHCP, DNS, DDNS, NTP, uPnP, ONVIF, IPv4/v6
Browser	Internet Explorer (support up to IE 10), Chrome, Firefox, Safari
Security	Multi-level passwords/HTTP encryption

I/O Connector

Audio in/out Port	N/A
D I/O	N/A
RS485	N/A
Micro SD Card Slot	N/A
RJ45	YES

Event Management

Event Trigger	Motion detection
Notifications	N/A
Post Recording	YES
Pre Recording	YES

Power

DC/AC	N/A
PoE	YES/IEEE 802.3af

General

Power Consumption	7W max.
Weight	660g
Dimension	324mm x 151mm x 152mm
Operating Temp.	-20°C ~ 60°C/-4°F ~ 140°F
Humidity	90%RH (no condensation)
Certification	CE/FCC
Vandal Resistant	N/A
Weather Proof	IP67
Application	SDK available for application development

Packaging Information

NWT	660g
GWT	920g
Dimension	324mm (D) x 151mm (W) x 152mm (H)

Ordering Information

- NCR-212-OVR (P/N:10HR0021200X0)

NCm-301-V

3MP Outdoor Vandal Compact Design, Fixed Lens, True WDR, IK10, Image Stabilization, EN-50155, M12 Connector Available



Main Features

- 3MP @20fps, Full HD 1080P @30fps
- Fixed lens 3.6mm F1.8 (option 2.8mm)
- 100dB True WDR
- IK10 vandal resistant
- EN50155 certified
- Image stabilization
- Extreme weather -40°C ~ 60°C/-40°F ~ 140°F
- M12 connector as optional

ONVIF



Product Overview

NEXCOM introduces new mobile dome IP camera offering outstanding 3MP image quality including support for image stabilization function. NCm-301-V IP Camera, available in indoor and outdoor using scenario, are suitable for transportation surveillance solution, True WDR can overcome variation light condition continued to provide crystal clear image output. IP67 makes IP camera ideal for all kind of extremely working behavior.

True WDR

The True WDR (Wide Dynamic Range) feature can be very helpful to cope with very challenging lighting conditions. It is capable of capturing both of the dark part and bright part then combining the differences into a scene to generate a highly realistic image. It preserves as much information in the video as possible, the NexCam True WDR IP Camera helps to provide video quality closer to the capabilities of the human eye. Consequently, it is largely applied in high contrast environments such as lobby entrances, parking lots, ATM's and loading areas.

Extreme Weather

Some NexCam are IP67 and IK10-rated, offering the best protection against extreme weather conditions. By utilizing the latest technologies, operating temperature can range from -40°C to 60°C/-40°F to 140°F.

Image Stabilization

NexCam offers image stabilization technology, which detects vertical/horizontal movements and utilize sophisticated algorithms to counter the unwanted movements. It is especially practical in transportation applications such as moving vehicles and maritime security.



Compact Design

NexCam are available in a compact and rugged design to be less intrusive while still offering strong resistance against vandalism and harsh operating environments.

Specifications

Camera General Information

Image Sensor	1/3" 3MP True WDR progressive scan CMOS sensor
Minimum Illumination	B/W 0.05 lux/Color 0.1 lux
Lens	Fixed Lens 3.6 mm F1.8, option 2.8mm F2.0
Field of View	diagonal 75°/horizontal 55°/vertical 93°
Iris Type	Fixed Iris
Day and Night	YES (Digital D/N)
IR Distance	N/A
IR Wavelength	N/A
IR Control	N/A
ICR	N/A
WDR	YES
Image Enhance	Brightness, Contrast, Saturation, Sharpness, Backlight compensation, Mirror, Flip, Day/Night, Anti-flicker

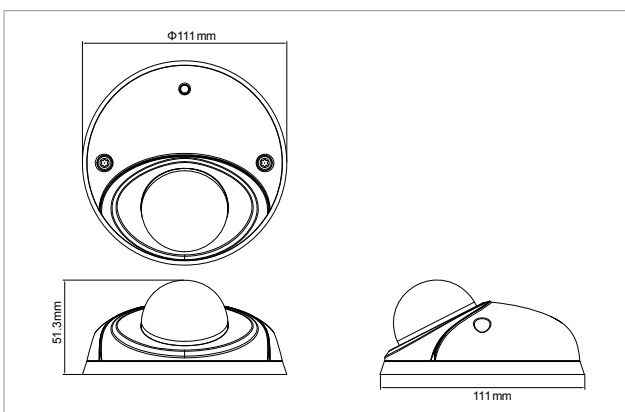
Video

Video Compression	H.264/M-JPEG
Video Streaming	Triple streaming H.264 Stream 1/H.264 Stream2/MJPEG Stream 3
Video Resolution	2048x1536 to 320x240
Video Quality	VBR/CBR
Frame Rate	2048x1536 @20 fps 1920x1080 @30 fps 1280x720 @30 fps 720x576 @30 fps 720x480 @30 fps 640x480 @30 fps 320x240 @30 fps

Audio

Audio Streaming	N/A
Audio Compression	N/A
Audio Input	N/A
Audio Output	N/A

Dimension Drawing



Network

Interface	10/100/1000 Mbps Ethernet, RJ-45
Supported Protocols	HTTP, TCP/IP, UDP, RTP, RTSP, FTP, SMTP, DHCP, DNS, DDNS, NTP, uPnP, ONVIF, IPv4/v6
Browser	Internet Explorer (support up to IE 10), Chrome, Firefox, Safari
Security	Multi-level passwords /HTTPS encryption

I/O Connector

Audio in/out Port	N/A
D I/O	N/A
RS485	N/A
Micro SD Card Slot	YES
RJ45	YES

Event Management

Event Trigger	Motion detection
Notifications	email/FTP and record video to server or SD card
Post Recording	YES
Pre Recording	YES

Power

DC/AC	N/A
PoE	YES/IEEE 802.3af

General

Power Consumption	6W max.
Weight	390g
Dimension	Φ 111mm x 51.3mm (H)
Operating Temp.	-40°C ~ 60°C/-40°F ~ 140°F
Humidity	90% RH (no condensation)
Certification	CE/FCC/EN50155
Vandal Resistant	IK10
Weather Proof	IP67
Application	SDK available for application development

Packaging Information

NWT	390g
GWT	650g
Dimension	202mm x 166mm x 92mm

Accessories (Optional)



Ordering Information

- NCm-301-V (P/N: 10H00030100X0)
- NCm-301-VM (P/N: 10H00030102X0) (M12 Connector)

NCm-301-2V

3MP Outdoor Vandal Compact Design, Fixed Lens, True WDR, IK10, Image Stabilization, EN-50155, M12 Connector Available



Main Features

- 3MP @20fps, Full HD1080P @30fps
- Fixed lens 2.8mm F2.0 (option 3.6mm)
- 100dB True WDR
- IK10 vandal resistance/IP67
- EN50155 certified
- Image stabilization
- Extreme weather -40°C ~ 60°C/-40°F ~ 140°F
- M12 connector as optional

ONVIF



Product Overview

NEXCOM introduces new mobile dome IP camera offering outstanding 3MP image quality including support for image stabilization function. NCm-301-2V IP Camera, available in indoor and outdoor using scenario, are suitable for transportation surveillance solution, True WDR can overcome variation light condition continued to provide crystal clear image output. IP67 makes IP camera ideal for all kind of extremely working behavior.

True WDR

The True WDR (Wide Dynamic Range) feature can be very helpful to cope with very challenging lighting conditions. It is capable of capturing both of the dark part and bright part then combining the differences into a scene to generate a highly realistic image. It preserves as much information in the video as possible, the NexCam True WDR IP Camera helps to provide video quality closer to the capabilities of the human eye. Consequently, it is largely applied in high contrast environments such as lobby entrances, parking lots, ATM's and loading areas.

Extreme Weather

Some NexCam are IP67 and IK10-rated, offering the best protection against extreme weather conditions. By utilizing the latest technologies, operating temperature can range from -40°C to 60°C/-40°F to 140°F.

Image Stabilization

NexCam offers image stabilization technology, which detects vertical/horizontal movements and utilize sophisticated algorithms to counter the unwanted movements. It is especially practical in transportation applications such as moving vehicles and maritime security.



Conventional

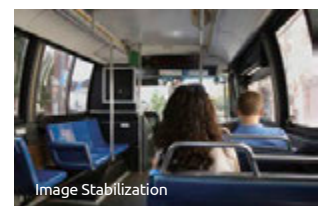


Image Stabilization

Compact Design

NexCam are available in a compact and rugged design to be less intrusive while still offering strong resistance against vandalism and harsh operating environments.

Specifications

Camera General Information

Image Sensor	1/3" 3MP True WDR progressive scan CMOS sensor
Minimum Illumination	B/W 0.05 lux/Color 0.1 lux
Lens	Fixed Lens 2.8 mm F2.0, option 3.6mm F1.8
Field of View	diagonal 94°/horizontal 70°/vertical 118°
Iris Type	Fixed Iris
Day and Night	YES (Digital D/N)
IR Distance	N/A
IR Wavelength	N/A
IR Control	N/A
ICR	N/A
WDR	YES
Image Enhance	Brightness, Contrast, Saturation, Sharpness, Backlight compensation, Mirror, Flip, Day/Night, Anti-flicker

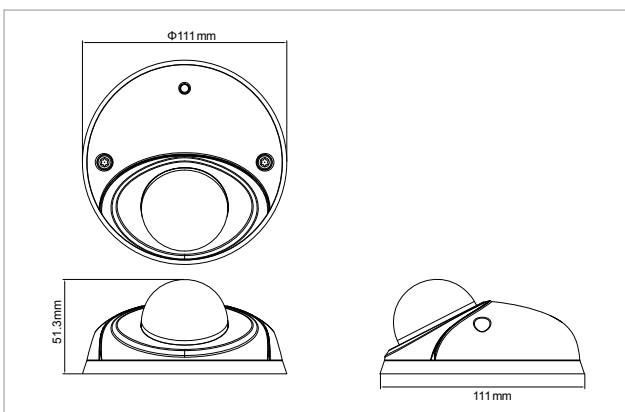
Video

Video Compression	H.264/M-JPEG
Video Streaming	Triple streaming H.264 Stream 1/H.264 Stream2/MJPEG Stream 3
Video Resolution	2048x1536 to 320x240
Video Quality	VBR/CBR
Frame Rate	2048x1536 @20 fps 1920x1080 @30 fps 1280x720 @30 fps 720x576 @30 fps 720x480 @30 fps 640x480 @30 fps 320x240 @30 fps

Audio

Audio Streaming	N/A
Audio Compression	N/A
Audio Input	N/A
Audio Output	N/A

Dimension Drawing



Network

Interface	10/100/1000 Mbps Ethernet, M12
Supported Protocols	HTTP, TCP/IP, UDP, RTP, RTSP, FTP, SMTP, DHCP, DNS, DDNS, NTP, uPnP, ONVIF, IPv4/v6
Browser	Internet Explorer (support up to IE 10), Chrome, Firefox, Safari
Security	Multi-level passwords /HTTPS encryption

I/O Connector

Audio in/out Port	N/A
D I/O	N/A
RS485	N/A
Micro SD Card Slot	YES
RJ45	YES

Event Management

Event Trigger	Motion detection
Notifications	email/FTP and record video to server or SD card
Post Recording	YES
Pre Recording	YES

Power

DC/AC	N/A
PoE	YES/IEEE 802.3af

General

Power Consumption	6W max.
Weight	390g
Dimension	Φ 111mm x 51.3mm (H)
Operating Temp.	-40°C ~ 60°C/-40°F ~ 140°F
Humidity	90% RH (no condensation)
Certification	CE/FCC/EN-50155
Vandal Resistant	IK10
Weather Proof	IP67
Application	SDK available for application development

Packaging Information

NWT	390g
GWT	650g
Dimension	202mm x 166mm x 92mm

Accessories (Optional)



Ordering Information

- ◆ NCm-301-2V (P/N: 10H00030101X0)
- ◆ NCm-301-2VM (P/N: 10H00030103X0) (M12 Connector)



Main Features

- Full HD 1080P @30fps
- Fixed lens 3.6mm F1.8 (option 2.8mm)
- 100dB True WDR
- IK10 vandal resistant
- EN50155 certified
- Image stabilization
- Extreme weather -40°C ~ 60°C/-40°F ~ 140°F
- M12 connector as optional



Product Overview

NEXCOM introduces new mobile dome IP camera offering outstanding 2MP image quality including support for image stabilization function. NCm-201-V IP Camera, available in indoor and outdoor using scenario, are suitable for transportation surveillance solution, True WDR can overcome variation light condition continued to provide crystal clear image output. IP67 makes IP camera ideal for all kind of extremely working behavior.

True WDR

The True WDR (Wide Dynamic Range) feature can be very helpful to cope with very challenging lighting conditions. It is capable of capturing both of the dark part and bright part then combining the differences into a scene to generate a highly realistic image. It preserves as much information in the video as possible, the NexCam True WDR IP Camera helps to provide video quality closer to the capabilities of the human eye. Consequently, it is largely applied in high contrast environments such as lobby entrances, parking lots, ATM's and loading areas.

Extreme Weather

Some NexCam are IP67 and IK10-rated, offering the best protection against extreme weather conditions. By utilizing the latest technologies, operating temperature can range from -40°C to 60°C/-40°F to 140°F.

Image Stabilization

NexCam offers image stabilization technology, which detects vertical/horizontal movements and utilize sophisticated algorithms to counter the unwanted movements. It is especially practical in transportation applications such as moving vehicles and maritime security.



Compact Design

NexCam are available in a compact and rugged design to be less intrusive while still offering strong resistance against vandalism and harsh operating environments.

Specifications

Camera General Information

Image Sensor	1/3" 2MP True WDR progressive scan CMOS sensor
Minimum Illumination	B/W 0.05 lux/Color 0.1 lux
Lens	Fixed Lens 3.6 mm F1.8, option 2.8mm F2.0
Field of View	diagonal 73°/horizontal 38°/vertical 80°
Iris Type	Fixed Iris
Day and Night	YES (Digital D/N)
IR Distance	N/A
IR Wavelength	N/A
IR Control	N/A
ICR	N/A
WDR	YES
Image Enhance	Brightness, Contrast, Saturation, Sharpness, Backlight compensation, Mirror, Flip, Day/Night, Anti-flicker

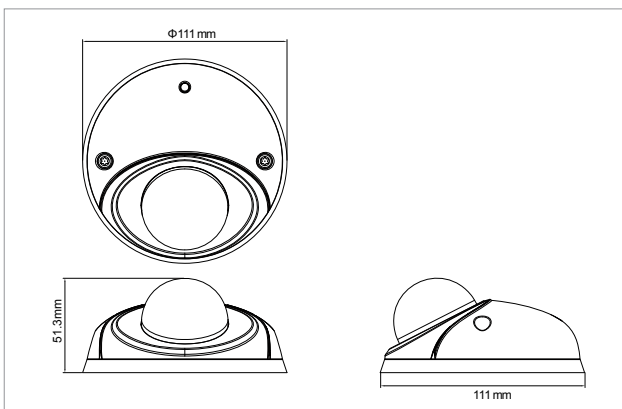
Video

Video Compression	H.264/M-JPEG
Video Streaming	Triple streaming H.264 Stream 1/H.264 Stream2/MJPEG Stream 3
Video Resolution	1920x1080 to 320x240
Video Quality	VBR/CBR
Frame Rate	1920x1080 @30 fps 1280x720 @30 fps 720x576 @30 fps 720x480 @30 fps 640x480 @30 fps 320x240 @30 fps

Audio

Audio Streaming	N/A
Audio Compression	N/A
Audio Input	N/A
Audio Output	N/A

Dimension Drawing



Network

Interface	10/100/1000 Mbps Ethernet, RJ-45
Supported Protocols	HTTP, TCP/IP, UDP, RTP, RTSP, FTP, SMTP, DHCP, DNS, DDNS, NTP, uPnP, ONVIF, IPv4/v6
Browser	Internet Explorer (support up to IE 10), Chrome, Firefox, Safari
Security	Multi-level passwords /HTTPS encryption

I/O Connector

Audio in/out Port	N/A
D I/O	N/A
RS485	N/A
Micro SD Card Slot	YES
RJ45	YES

Event Management

Event Trigger	Motion detection
Notifications	email/FTP and record video to server or SD card
Post Recording	YES
Pre Recording	YES

Power

DC/AC	N/A
PoE	YES/IEEE 802.3af

General

Power Consumption	6W max.
Weight	390g
Dimension	Φ 111mm x 51.3mm (H)
Operating Temp.	-40°C ~ 60°C/-40°F ~ 140°F
Humidity	90% RH (no condensation)
Certification	CE/FCC/EN50155
Vandal Resistant	IK10
Weather Proof	IP67
Application	SDK available for application development

Packaging Information

NWT	390g
GWT	650g
Dimension	202mm x 166mm x 92mm

Accessories (Optional)



Ordering Information

- ◆ NCM-201-V (P/N: 10H00020100X0)
- ◆ NCM-201-VM (P/N: 10H00020102X0)(M12 Connector)

NCm-201-2V

2MP Outdoor Vandal Compact Design, Fixed Lens, True WDR, IK10, Image Stabilization, EN-50155, M12 Connector Available



Main Features

- Full HD1080P @30fps
- Fixed lens 2.8mm F2.0 (option 3.6mm)
- 100dB True WDR
- IK10 vandal resistance/IP67
- EN50155 certified
- Image stabilization
- Extreme weather -40°C ~ 60°C/-40°F ~ 140°F
- M12 connector as optional

ONVIF



Product Overview

NEXCOM introduces new mobile dome IP camera offering outstanding 2MP image quality including support for image stabilization function. NCm-201-2V IP Camera, available in indoor and outdoor using scenario, are suitable for transportation surveillance solution, True WDR can overcome variation light condition continued to provide crystal clear image output. IP67 makes IP camera ideal for all kind of extremely working behavior.

True WDR

The True WDR (Wide Dynamic Range) feature can be very helpful to cope with very challenging lighting conditions. It is capable of capturing both of the dark part and bright part then combining the differences into a scene to generate a highly realistic image. It preserves as much information in the video as possible, the NexCam True WDR IP Camera helps to provide video quality closer to the capabilities of the human eye. Consequently, it is largely applied in high contrast environments such as lobby entrances, parking lots, ATM's and loading areas.

Extreme Weather

Some NexCam are IP67 and IK10-rated, offering the best protection against extreme weather conditions. By utilizing the latest technologies, operating temperature can range from -40°C to 60°C/-40°F to 140°F.

Image Stabilization

NexCam offers image stabilization technology, which detects vertical/horizontal movements and utilize sophisticated algorithms to counter the unwanted movements. It is especially practical in transportation applications such as moving vehicles and maritime security.



Compact Design

NexCam are available in a compact and rugged design to be less intrusive while still offering strong resistance against vandalism and harsh operating environments.

Specifications

Camera General Information

Image Sensor	1/3" 3MP True WDR progressive scan CMOS sensor
Minimum Illumination	B/W 0.05 lux/Color 0.1 lux
Lens	Fixed Lens 2.8 mm F2.0, option 3.6mm F1.8
Field of View	diagonal 86°/horizontal 49°/vertical 100°
Iris Type	Fixed Iris
Day and Night	YES (Digital D/N)
IR Distance	N/A
IR Wavelength	N/A
IR Control	N/A
ICR	N/A
WDR	YES
Image Enhance	Brightness, Contrast, Saturation, Sharpness, Backlight compensation, Mirror, Flip, Day/Night, Anti-flicker

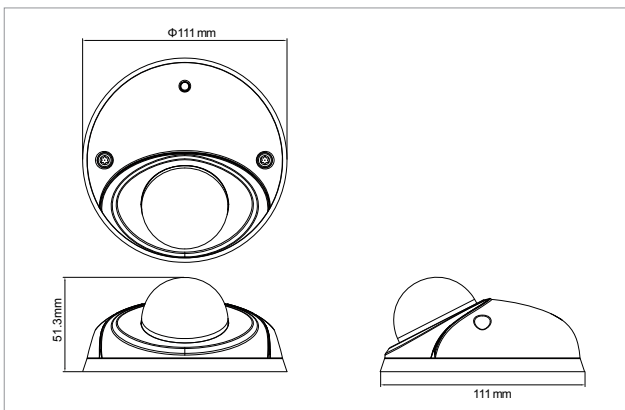
Video

Video Compression	H.264/M-JPEG
Video Streaming	Triple streaming H.264 Stream 1/H.264 Stream2/MJPEG Stream 3
Video Resolution	1920x1080 to 320x240
Video Quality	VBR/CBR
Frame Rate	1920x1080 @30 fps 1280x720 @30 fps 720x576 @30 fps 720x480 @30 fps 640x480 @30 fps 320x240 @30 fps

Audio

Audio Streaming	N/A
Audio Compression	N/A
Audio Input	N/A
Audio Output	N/A

Dimension Drawing



Network

Interface	10/100/1000 Mbps Ethernet, M12
Supported Protocols	HTTP, TCP/IP, UDP, RTP, RTSP, FTP, SMTP, DHCP, DNS, DDNS, NTP, uPnP, ONVIF, IPv4/v6
Browser	Internet Explorer (support up to IE 10), Chrome, Firefox, Safari
Security	Multi-level passwords /HTTPS encryption

I/O Connector

Audio in/out Port	N/A
D I/O	N/A
RS485	N/A
Micro SD Card Slot	YES
RJ45	YES

Event Management

Event Trigger	Motion detection
Notifications	email/FTP and record video to server or SD card
Post Recording	YES
Pre Recording	YES

Power

DC/AC	N/A
PoE	YES/IEEE 802.3af

General

Power Consumption	6W max.
Weight	390g
Dimension	Φ 111mm x 51.3mm (H)
Operating Temp.	-40°C ~ 60°C/-40°F ~ 140°F
Humidity	90% RH (no condensation)
Certification	CE/FCC/EN-50155
Vandal Resistant	IK10
Weather Proof	IP67
Application	SDK available for application development

Packaging Information

NWT	390g
GWT	650g
Dimension	202mm x 166mm x 92mm

Accessories (Optional)



Ordering Information

- ◆ NCm-201-2V (P/N: 10H00020101X0)
- ◆ NCm-201-2VM (P/N:10H00020103X0)(M12 Connector)



Main Features

- LPR high speed box camera
- Full HD1080P @50fps
- 2/3" Image sensor
- Global shutter
- Support -20°C ~ 60°C /-4°F ~ 140°F
- Lens optional



Product Overview

NCb-231 is the new Box type NexCam with extremely clear image which is specifically for LPR/ANPR applications. It uses 2/3" Full HD progressive scan CMOS image sensor and Global Shutter for having excellent performance under low light environment and the object is high speed moving. Users can analyze the image easily and raise up the recognition. Thus, NCb-231 is the most appropriate solution for your traffic surveillance system.

Global Shutter

Global Shutter feature means that all pixels of the array are exposed simultaneously, thus enabling "freeze frame" capture of fast moving or fast changing events and in this respect. With this feature, NCb-231 can provide the image without spatial distortion and enhance the intelligibility when the object over 200km (124miles).



1080P @ 30 fps

NCb-231 supports high-performance H.264/MJPEG compression technology and offers extra smooth video at up to 30fps in 1080p. Furthermore, Video ROI[Region Of Interest] function reduce bandwidth and storage requirement, providing users with the best option in bandwidth flexibility and storage efficiency.

Rich I/O

NCb-231 Rich I/O allows the users to have the advantages when connecting essential external devices such as audio jack, micro SD cardslot, flash strobe out and IR strobe out in order to achieve the best performance for any critical environments. It also allows the users to use Digital Input and Digital output for the applications such as alarm system.

Specifications

Camera General Information

Image Sensor	2/3" Full HD progressive scan CMOS image sensor
Minimum Illumination	B/W 0.05 lux / Color 0.5 lux @F1.2
Lens	CS mount
Field of View	N/A
Iris Type	DC-Iris
Day and Night	Yes (with ICR & Light sensor)
IR Distance	N/A
IR Wavelength	N/A
Target Capture Plate	Reflective and Non-reflective
Capture Plate Distance	20M~35M
Car Speed	250KM/h max.
IR Control	N/A
ICR	YES
WDR	YES
Image Enhance	Brightness, Contrast, Saturation, Sharpness, Mirror, Flip, Day/Night, Anti-flicker,AWB

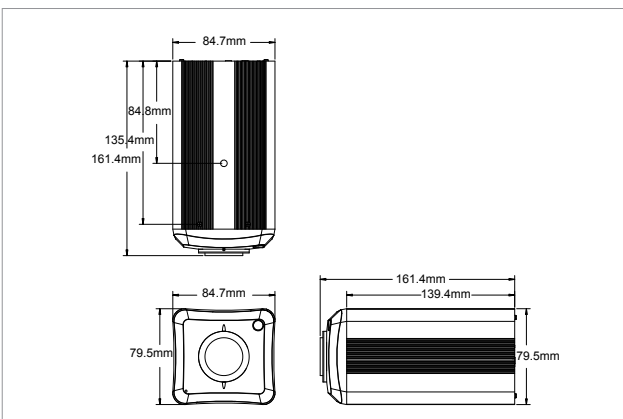
Video

Video Compression	H.264/M-JPEG
Video Streaming	Triple Streaming
Video Resolution	1920x1080 to 320x240
Video Quality	VBR/CBR
Frame Rate	1920x1080 @50 fps 1280x720 @50 fps 720x576 @50 fps 720x480 @50 fps 640x480 @50 fps 320x240 @50 fps

Audio

Audio Streaming	Two-way
Audio Compression	G.711 8KHz/16bit
Audio Input	Line-in
Audio Output	Line-out

Dimension Drawing



Network

Interface	10/100/1000 Mbps Ethernet, RJ-45
Supported Protocols	HTTP, TCP/IP, UDP, RTP, RTSP, FTP, SMTP, DHCP, DNS, DDNS, NTP, uPnP, ONVIF, IPv4/v6
Browser	Internet Explorer (support up to IE 10), Chrome, Firefox, Safari
Security	Multi-level passwords/HTTP encryption

I/O Connector

Audio in/ out Port	3.5 mm phone jack x1
D I/O	Dlx2, DOx2
RS485	YES
Micro SD Card Slot	YES
RJ45	YES
RS232	YES
Flash Strobe Out	YES (Event Trigger)
IR LED Strobe Out	YES (Frequently)
Reset Button	x2 (for HW reset and back to default setting)

Event Management

Event Trigger	Motion detection, DI
Notifications	Trigger alarm output, email/FTP and record video to PC or SD card
Post Recording	YES
Pre Recording	YES

Power

DC/AC	DC12V/AC 24V terminal block
POE	YES/IEEE 802.3af

General

Power Consumption	up to 6W max
Weight	1200g
Dimension	160mm (D) x 85mm (W) x 79.5mm (H)
Operating Temp.	-20°C ~ 60°C/-4°F ~ 140°F
Humidity	90%RH (no condensation)
Certification	CE/FCC
Vandal Resistant	N/A
Weather Proof	with housing
Application	SDK available for application development

Packaging Information

NWT	1200g
GWT	1420g
Dimension	231mm (D) x 149.5mm (W) x 135mm (H)

Ordering Information

- ◆ NCB-231 (P/N: 10HB0023100X0)



Main Features

- 30fps@3MP, Full HD1080P @60fps
- Smart LPR Modes
- Capture Plate Distance 3M~10M
- Car Speed 50KM/h max.
- Advance P-Iris
- 100 dB True WDR



Product Overview

NEXCOM introduces new IR vandal bullet type IP camera, offering outstanding 3MP image quality no matter car is moving at high speed or it is rainy during day & night. NCR-304-VHR IP Camera is suitable for building surveillance solutions for parking, gate entrances, barriers, etc. It is able to overcome variation light condition and capture plates clearly within 3M~10M distances when cars are moving. Smart LPR Modes are available for clients to attain optimized result during the whole day.

Megapixel @ 60 fps

NexCam supports high-performance H.264/MJPEG compression technology and offers extra smooth video at up to 60 fps at 1080p, and 30fps @ 3MP. Furthermore, Video ROI [Region Of Interest] function reduce bandwidth and storage requirement, providing users with the best option in bandwidth flexibility and storage efficiency.

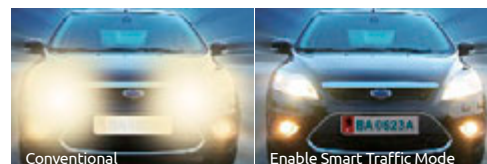
Smart LPR Modes

Smart LPR Modes are available with customized and optimized different parameter settings in order to meet most variations in light, weather and other environmental factors during a day. It is providing clients with more flexibility to attain optimized image results.

When car is moving at high speed



When headlight of car is opened



License Plate Recognition

The technology helps to identify the clear plate of the moving cars during day and night, which has a wide number of applications including traffic enforcement, access control, stolen car identification, vehicle tracking and parking. NEXCOM offers the ready-to-go system and clear image for License Plate Recognition software to get capture rate.

Zoom Focus

Zoom focus function allows users to remotely control focus and zoom to simplify installation and reduce labor cost. 3-10 mm focal length is available with feed-back potentiometers for auto-positioning applications. Post-installation adjustment can be done quickly and painlessly, without the need to tear down and reinstall the camera.

Specifications

Camera General Information

Image Sensor	1/3" 3MP True WDR progressive scan CMOS sensor
Minimum Illumination	B/W 0 lux/Color 0.1 lux
Lens	Motorized (3-10mm, F1.4) lens
Field of View	Horizontal: 33.6°~81.9° Vertical: 25.5°~62.6° Diagonal: 42.6°~103.1°
Iris Type	P-Iris
Day and Night	YES (True D/N)
IR Distance	Effective up to 30M
Target Capture Plate	Reflective
Capture Plate Distance	3M~10M
Car Moving Speed	0~50KM/h
IR Wavelength	850nm
ICR	YES
WDR	YES (True WDR)
Image Enhance	Brightness, Contrast, Saturation, Sharpness, Mirror, Flip, Day/Night, Anti-flicker,AWB

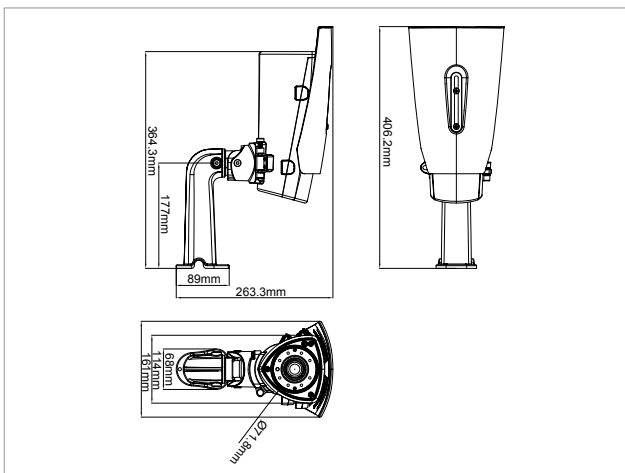
Video

Video Compression	H.264/M-JPEG
Video Streaming	Triple streaming
Video Resolution	2048x1536 to 320x240
Video Quality	VBR/CBR
Frame Rate	2048x1536 @30 fps 1920x1080 @60 fps 1280x720 @30 fps 720x576 @30 fps 720x480 @30 fps 640x480 @30 fps 320x240 @30 fps

Audio

Audio Streaming	Two-way
Audio Compression	G.711 8KHz/16 bits
Audio Input	Line-in
Audio Output	Line-out

Dimension Drawing



Network

Interface	10/100/1000 Mbps Ethernet, RJ-45
Supported Protocols	HTTP, TCP/IP, UDP, RTP, RTSP, FTP, SMTP, DHCP, DNS, DDNS, NTP, uPnP, ONVIF, IPv4/v6
Browser	Internet Explorer (support up to IE 10), Chrome, Firefox, Safari
Security	Multi-level passwords/HTTP encryption

I/O Connector

Audio in/ out Port	3.5 mm phone jack x1
D I/O	DIX1, DOx1
RS485	N/A
Micro SD Card Slot	YES
RJ45	YES

Event Management

Event Trigger	Motion detection, DI
Notifications	Trigger alarm output, email/FTP and record video to PC or SD card
Post Recording	YES
Pre Recording	YES

Power

DC/AC	DC12V/AC 24V terminal block
PoE	YES/IEEG 802.3at (PoE+)

General

Power Consumption	14.3W max.
Weight	2005g
Dimension	406.2mm (D) x 161mm (W) x 263.3mm (H)
Operating Temp.	-40°C ~ 60°C/-40°F ~ 140°F
Humidity	90%RH (no condensation)
Certification	CE/FCC
Vandal Resistant	IK10
Weather Proof	IP66/IP67
Application	SDK available for application development

Packaging Information

NWT	2005g
GWT	2091g
Dimension	311mm (D) x 286mm (W) x 178mm (H)

Ordering Information

- NCr-304-VHR (P/N: TBD)



Main Features

- 30fps@3MP, Full HD1080P @60fps
- Smart LPR Modes
- Capture Plate Distance 15M~20M
- Car Speed 100KM/h max.
- Advance P-Iris
- 100 dB True WDR



Product Overview

NEXCOM introduces new IR vandal bullet type IP camera, offering outstanding 3MP image quality no matter car is moving at high speed or it is rainy during day & night. NCR-305-VHR IP Camera is suitable for building surveillance solutions for parking, gate entrances, barriers, etc. It is able to overcome variation light condition and capture plates clearly within 15M~20M distances when cars are moving. Smart LPR Modes are available for clients to attain optimized result during the whole day.

Megapixel @ 60 fps

NexCam supports high-performance H.264/MJPEG compression technology and offers extra smooth video at up to 60 fps at 1080p, and 30fps @ 3MP. Furthermore, Video ROI [Region Of Interest] function reduce bandwidth and storage requirement, providing users with the best option in bandwidth flexibility and storage efficiency.

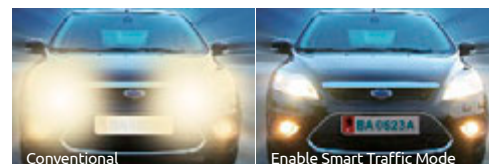
Smart LPR Modes

Smart LPR Modes are available with customized and optimized different parameter settings in order to meet most variations in light, weather and other environmental factors during a day. It is providing clients with more flexibility to attain optimized image results.

When car is moving at high speed



When headlight of car is opened



License Plate Recognition

The technology helps to identify the clear plate of the moving cars during day and night, which has a wide number of applications including traffic enforcement, access control, stolen car identification, vehicle tracking and parking. NEXCOM offers the ready-to-go system and clear image for License Plate Recognition software to get capture rate.

Zoom Focus

Zoom focus function allows users to remotely control focus and zoom to simplify installation and reduce labor cost. 9-22mm focal length is available with feed-back potentiometers for auto-positioning applications. Post-installation adjustment can be done quickly and painlessly, without the need to tear down and reinstall the camera.

Specifications

Camera General Information

Image Sensor	1/3" 3MP True WDR progressive scan CMOS sensor
Minimum Illumination	B/W 0 lux/Color 0.1 lux
Lens	Motorized (9-22mm, F1.5) lens
Field of View	Horizontal: 12.5°~29.4° Vertical: 9.7°~24.8° Diagonal: 16.1°~36.5°
Iris Type	P-Iris
Day and Night	YES (True D/N)
IR Distance	Effective up to 50M
Target Capture Plate	Reflective
Capture Plate Distance	15M~20M
Car Moving Speed	0~100KM/h
IR Wavelength	850nm
ICR	YES
WDR	YES (True WDR)
Image Enhance	Brightness, Contrast, Saturation, Sharpness, Mirror, Flip, Day/Night, Anti-flicker,AWB

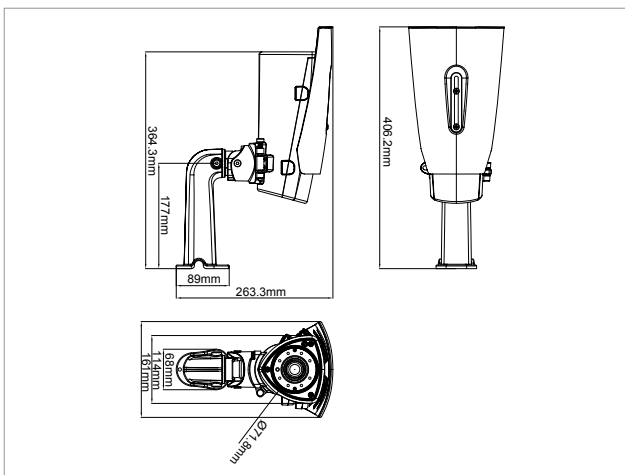
Video

Video Compression	H.264/M-JPEG
Video Streaming	Triple streaming
Video Resolution	2048x1536 to 320x240
Video Quality	VBR/CBR
Frame Rate	2048x1536 @30 fps 1920x1080 @60 fps 1280x720 @30 fps 720x576 @30 fps 720x480 @30 fps 640x480 @30 fps 320x240 @30 fps

Audio

Audio Streaming	Two-way
Audio Compression	G.711 8KHz/16 bits
Audio Input	Line-in
Audio Output	Line-out

Dimension Drawing



Network

Interface	10/100/1000 Mbps Ethernet, RJ-45
Supported Protocols	HTTP, TCP/IP, UDP, RTP, RTSP, FTP, SMTP, DHCP, DNS, DDNS, NTP, uPnP, ONVIF, IPv4/v6
Browser	Internet Explorer (support up to IE 10), Chrome, Firefox, Safari
Security	Multi-level passwords/HTTP encryption

I/O Connector

Audio in/ out Port	3.5 mm phone jack x1
D I/O	Dlx1, DOx1
RS485	N/A
Micro SD Card Slot	YES
RJ45	YES

Event Management

Event Trigger	Motion detection, DI
Notifications	Trigger alarm output, email/ FTP and record video to PC or SD card
Post Recording	YES
Pre Recording	YES

Power

DC/AC	DC12V/AC 24V terminal block
PoE	YES/IEEG 802.3at (PoE+)

General

Power Consumption	14.3W max.
Weight	2005g
Dimension	406.2mm (D) x 161mm (W) x 263.3mm (H)
Operating Temp.	-40°C ~ 60°C /-40°F~ 140°F
Humidity	90%RH (no condensation)
Certification	CE/FCC
Vandal Resistant	IK10
Weather Proof	IP66/IP67
Application	SDK available for application development

Packaging Information

NWT	2005g
GWT	2091g
Dimension	311mm (D) x 286mm (W) x 178mm (H)

Ordering Information

- ◆ NCr-305-VHR (P/N: TBD)



Main Features

- Ultra-low light box camera
- Full HD1080P @30fps
- Micro SD card slot
- Support -20°C ~ 60°C/-4°F ~ 140°F
- Lens optional



Product Overview

NCb-221 is the first NexCam which particularly designed for the low light surveillance environment. It uses Sony 1/2" Exmor image sensor and focuses on the users who require the excellent performance under the low-light condition. The advantages of NCb-221 are the extremely high sensitivity, excellent image quality, beautiful color performance with low noises, hence, NCb-221 is the camera perfectly for city surveillance project.

1080P @ 30 fps

NCb-221 supports high-performance H.264/MJPEG compression technology and offers extra smooth video at up to 30fps in 1080p. Furthermore, Video ROI[Region Of Interest] function reduce bandwidth and storage requirement, providing users with the best option in bandwidth flexibility and storage efficiency.

Digital WDR (DWDR)

Digital Wide Dynamic Range is a feature in NCb-221 IP cameras that incorporates techniques for handling a wide range of lighting conditions in a scene which with extremely bright and dark areas, a typical camera would produce an image where objects in the dark areas would hardly be visible. Digital Wide Dynamic Range solves this by applying techniques such as using different exposures for different objects in a scene to enable objects in both bright and dark areas to be visible.

RICH I/O

NCb-221 Rich I/O allows the users to have the advantages when connecting essential external devices such as audio jack, micro SD cardslot, DC 12V & AC 24V in order to achieve the best performance for any critical environments. It also allows the users to use Digital Input and Digital output for the applications such as alarm system.

Specifications

Camera General Information

Image Sensor	Sony 1/1.9" image sensor
Minimum Illumination	B/W 0.005 lux/Color 0.05 lux
Lens	N/A
Field of View	N/A
Iris Type	N/A
Day and Night	YES (with ICR & Light sensor)
IR Distance	N/A
IR Wavelength	N/A
IR Control	N/A
ICR	YES
WDR	YES(DWDR)
Image Enhance	Brightness, Contrast, Saturation, Sharpness, Mirror, Flip, Day/Night, Anti-flicker,AWB

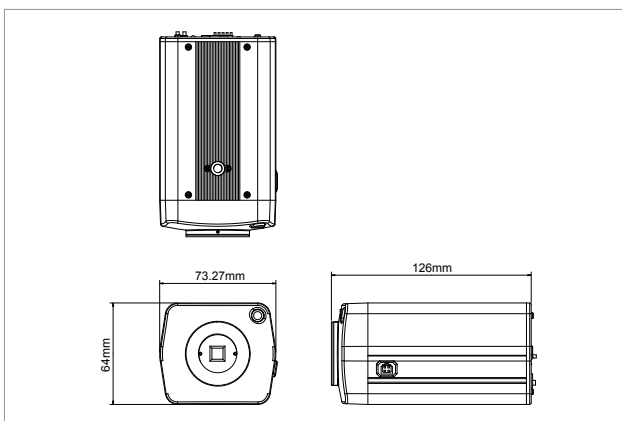
Video

Video Compression	H.264/M-JPEG
Video Streaming	Triple-streaming
Video Resolution	1920x1080 to 320x240
Video Quality	VBR/CBR
Frame Rate	1920x1080 @30 fps 1280x720 @30 fps 720x576 @30 fps 720x480 @30 fps 640x480 @30 fps 320x240 @30 fps

Audio

Audio Streaming	Two-way
Audio Compression	G.711 8KHz/16bit
Audio Input	Line-in
Audio Output	Line-out

Dimension Drawing



Network

Interface	10/100/1000 Mbps Ethernet, RJ-45
Supported Protocols	HTTP, TCP/IP, UDP, RTP, RTSP, FTP, SMTP, DHCP, DNS, DDNS, NTP, uPnP, ONVIF, IPV4/v6
Browser	Internet Explorer (support up to IE 10), Chrome, Firefox, Safari
Security	Multi-level passwords/HTTP encryption

I/O Connector

Audio in/out Port	3.5 mm phone jack x1
D I/O	Dix1, DOx1
RS485	N/A
Micro SD Card Slot	YES
RJ45	YES

Event Management

Event Trigger	Motion detection, DI
Notifications	Trigger alarm output, email/FTP and record video to PC or SD card
Post Recording	YES
Pre Recording	YES

Power

DC/AC	DC12V/AC 24V terminal block
POE	YES/IEEE 802.3af

General

Power Consumption	10W max.
Weight	470g
Dimension	126mm (D) x 73.27mm (W) x 64mm (H)
Operating Temp.	-20°C ~ 60°C/-4°F ~ 140°F
Humidity	90%RH (no condensation)
Certification	CE/FCC
Vandal Resistant	N/A
Weather Proof	with housing
Application	SDK available for application development

Packaging Information

NWT	470g
GWT	TBA
Dimension	TBA

Ordering Information

- ◆ NCB-221 (P/N: 10HB0022100X0)



Main Features

- Full HD 1080P @30fps
- Varifocal lens 3-9mm, F1.2
- Digital WDR
- Compact design
- Support 0°C ~ 60°C/32°F ~ 140°F



Product Overview

NEXCOM introduces new mini indoor dome IP camera offering outstanding 2MP image quality including support for vari-focal function. NCI-221 IP Camera, available in indoor using scenario, are suitable for building/small shop surveillance solution, Digital WDR can overcome variation light condition continued to provide crystal clear image output. It makes IP camera ideal for small medium business applications.

1080P @ 30 fps

NexCam supports high-performance H.264/MJPEG compression technology and offers extra smooth video at up to 30fps in 1080p. Furthermore, Video ROI [Region Of Interest] function reduce bandwidth and storage requirement, providing users with the best option in bandwidth flexibility and storage efficiency.

RICH I/O

NexCam's Rich I/O allows the users to have the advantages when connecting essential external devices such as strobe light, audio jack, micro SD card slot, DC 12V in order to achieve the best performance for any critical environments. It also allows the users to use Digital Input and Digital Output for the applications such alarm system.

Digital WDR

Digital Wide Dynamic Range is a feature in NCI-211 IP camera that incorporates techniques for handling a wide range of lighting conditions in a scene which with extremely bright and dark areas, a typical camera would produce an image where objects in the dark areas would hardly be visible. digital Wide Dynamic Range solves this by applying techniques such as using different exposures for different objects in a scene to enable objects in both bright and dark areas to be visible.

Compact Design

NexCam is available in a compact design with stylish, low profile, and discreet housing. It's ideal for residential, office, mall, and store used and of course not limited to. It's indeed a space-saving design that would be perfect for getting an excellent overview for any indoor scene.



Specifications

Camera General Information

Image Sensor	Sony 1/1.9" image sensor
Minimum Illumination	B/W 0 lux/Color 0.05 lux
Lens	varifocal (3-9mm, F1.2)
Field of View	diagonal 127.2° ~ 36°/horizontal 95.6° ~ 28.8°/vertical 68.8° ~ 21.6°
Iris Type	P-iris
Day and Night	YES
IR Distance	N/A
IR Wavelength	N/A
IR Control	N/A
ICR	YES
WDR	YES (DWDR)
Image Enhance	Brightness, Contrast, Saturation, Sharpness, Backlight compensation, Mirror, Flip, Day/Night, Anti-flicker

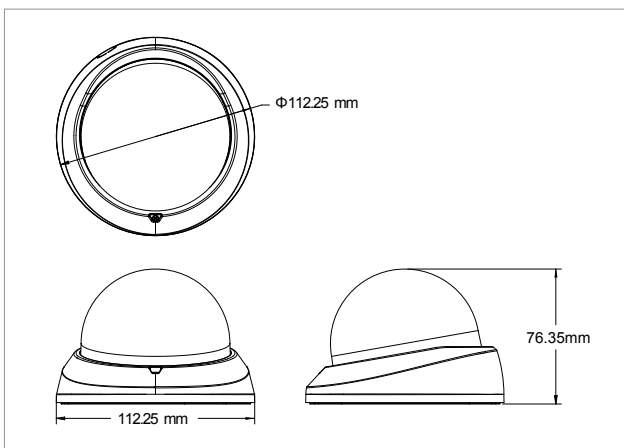
Video

Video Compression	H.264/M-JPEG
Video Streaming	Triple streaming H.264 Stream 1/H.264 Stream2/MJPEG Stream 3
Video Resolution	1920x1080 to 320x240
Video Quality	VBR/CBR
Frame Rate	1920x1080 @30 fps 1280x720 @30 fps 720x576 @30 fps 720x480 @30 fps 640x480 @30 fps 320x240 @30 fps

Audio

Audio Streaming	N/A
Audio Compression	N/A
Audio Input	N/A
Audio Output	N/A

Dimension Drawing



Network

Interface	10/100/1000 Mbps Ethernet, RJ-45
Supported Protocols	HTTP, TCP/IP, UDP, RTP, RTSP, FTP, SMTP, DHCP, DNS, DDNS, NTP, uPnP, ONVIF, IPv4/v6
Browser	Internet Explorer (support up to IE 10), Chrome, Firefox, Safari
Security	Multi-level passwords /HTTP encryption

I/O Connector

Audio in/out Port	N/A
D I/O	DIX1, DOx1
RS485	N/A
Micro SD Card Slot	YES
RJ45	YES

Event Management

Event Trigger	Motion detection, DI
Notifications	Trigger alarm output, email/FTP and record video to PC or SD card
Post Recording	YES
Pre Recording	YES

Power

DC/AC	DC12V terminal block
PoE	YES/IEEE 802.3af

General

Power Consumption	8W max.
Weight	280g
Dimension	Φ 112.25mm x 76.35mm (H)
Operating Temp.	0°C ~ 60°C/32°F ~ 140°F
Humidity	90% RH (no condensation)
Certification	CE/FCC
Vandal Resistant	N/A
Weather Proof	N/A
Application	SDK available for application development

Packaging Information

NWT	280g
GWT	TBA
Dimension	TBA

Ordering Information

- ◆ NCI-221(P/N: TBA)



Main Features

- Ultra-low light 1/2" CMOS image sensor
- Full HD1080P @60fps
- Micro SD card slot
- Support -40°C ~ 60°C/-40°F ~ 140°F
- P-Iris, IK10, IP66

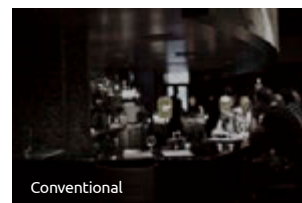


Product Overview

NCo-221-VHR designs with Sony 1/2" Exmor image sensor and focuses on the users who require the excellent performance under the low-light condition. The advantages of NCo-221-VHR are the extremely high sensitivity, excellent image quality, beautiful color performance with low noises.

Ultra-Low Light

NexCam Ultra-low light camera series have the capability to enhance camera's performance under extreme low lux environment color mode 0.05lux, where the light is critical issue. This new technology allows NexCam to stay in color even in low light conditions.



Conventional



Ultra-low Light

1080P @ 60fps

NCo-221-VHR supports high-performance H.264/MJPEG compression technology and offers extra smooth video at up to 60fps in 1080p. Furthermore, Video ROI [Region Of Interest] function reduce bandwidth and storage requirement, providing users with the best option in bandwidth flexibility and storage efficiency.

Digital WDR (DWDR)

Digital Wide Dynamic Range is a feature in NCo-221-VHR IP cameras that incorporates techniques for handling a wide range of lighting conditions in a scene which with extremely bright and dark areas , a typical camera would produce an image where objects in the dark areas would hardly be visible. Digital Wide Dynamic Range solves this by applying techniques such as using different exposures for different objects in a scene to enable objects in both bright and dark areas to be visible.

Specifications

Camera General Information

Image Sensor	Sony 1/1.9" IMX185 image sensor
Minimum Illumination	B/W 0 lux/Color 0.05 lux
Lens	Motorized (3-9mm, F1.2)
Field of View	horizontal 120° ~ 46°/vertical 135° ~ 53°
Iris Type	P-Iris
Day and Night	Yes (with ICR & Light sensor)
IR Distance	Effective up to 25 meter
IR Wavelength	850nm
IR Control	Smart IR
ICR	YES
DWDR	YES
Image Enhance	Brightness, Contrast, Saturation, Sharpness, Backlight compensation, Mirror, Flip, Day/Night, Anti-flicker

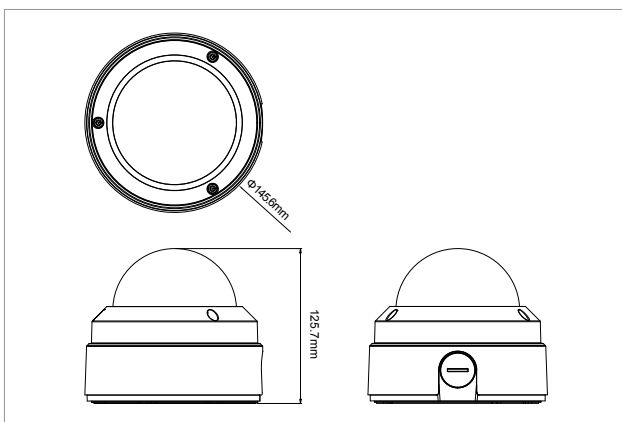
Video

Video Compression	H.264/M-JPEG
Video Streaming	Triple-streaming
Video Resolution	1920x1080 to 320x240
Video Quality	VBR/CBR
Frame Rate	1920x1080 @60 fps 1280x720 @60 fps 720x576 @60 fps 720x480 @60 fps 640x480 @60 fps 320x240 @60 fps

Audio

Audio Streaming	Two-way
Audio Compression	G.711 8KHz/16bit
Audio Input	Line-in
Audio Output	Line-out

Dimension Drawing



Network

Interface	10/100/1000 Mbps Ethernet, RJ-45
Supported Protocols	HTTP, TCP/IP, UDP, RTP, RTSP, FTP, SMTP, DHCP, DNS, DDNS, NTP, uPnP, ONVIF, IPv4/v6
Browser	Internet Explorer (support up to IE 10), Chrome, Firefox, Safari
Security	Multi-level passwords/HTTP encryption

I/O Connector

Audio in/out Port	3.5 mm phone jack x1
D I/O	DIX1, DOx1
RS485	N/A
Micro SD Card Slot	YES
RJ45	YES

Event Management

Event Trigger	Motion detection, DI
Notifications	Trigger alarm output, email/FTP and record video to PC or SD card
Post Recording	YES
Pre Recording	YES

Power

DC/AC	DC12V/AC 24V terminal block
POE	YES/IEEE 802.3af

General

Power Consumption	12W max.
Weight	1725g
Dimension	Φ 145.6mm x 125.7mm (H)
Operating Temp.	-40°C ~ 60°C/-40°F ~ 140°F
Humidity	90% RH (no condensation)
Certification	CE/FCC
Vandal Resistant	IK10
Weather Proof	IP66
Application	SDK available for application development

Packaging Information

NWT	1725g
GWT	2055g
Dimension	225mm x 202mm x 156mm

Ordering Information

- ◆ NCo-221-VHR (TBA)



Main Features

- Ultra-low light 1/1.9" CMOS image sensor
- Full HD1080P @30fps
- Micro SD card slot
- Support -20°C ~ 60°C/-4°F ~ 140°F
- P-Iris, IK08, IP66

ONVIF

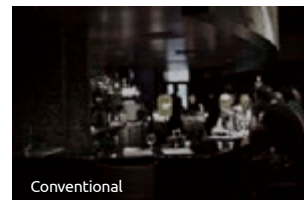


Product Overview

NCr-221-VHR designs with Sony 1/1.9" image sensor and focuses on the users who require the excellent performance under the low-light condition. The advantages of NCr-221-VHR are the extremely high sensitivity, excellent image quality, beautiful color performance with low noises.

Ultra-Low Light

NexCam Ultra-low light camera series have the capability to enhance camera's performance under extreme low lux environment color mode 0.05lux, where the light is critical issue. This new technology allows NexCam to stay in color even in low light conditions.



Conventional



Ultra-low Light

1080P @ 30 fps

NCr-221-VHR supports high-performance H.264/MJPEG compression technology and offers extra smooth video at up to 30fps in 1080p. Furthermore, Video ROI[Region Of Interest] function reduce bandwidth and storage requirement, providing users with the best option in bandwidth flexibility and storage efficiency.

Digital WDR (DWDR)

Digital Wide Dynamic Range is a feature in NCr-221-VHR IP cameras that incorporates techniques for handling a wide range of lighting conditions in a scene which with extremely bright and dark areas , a typical camera would produce an image where objects in the dark areas would hardly be visible. Digital Wide Dynamic Range solves this by applying techniques such as using different exposures for different objects in a scene to enable objects in both bright and dark areas to be visible.

Specifications

Camera General Information

Image Sensor	Sony 1/1.9" image sensor
Minimum Illumination	B/W 0 lux/Color 0.05 lux
Lens	Motorized (3-9mm, F1.2)
Field of View	horizontal 120° ~ 46°/vertical 135° ~ 53°
Iris Type	P-Iris
Day and Night	Yes (with ICR & Light sensor)
IR Distance	Effective up to 30 meter
IR Wavelength	850nm
IR Control	Smart IR
ICR	YES
DWDR	YES
Image Enhance	Brightness, Contrast, Saturation, Sharpness, Backlight compensation, Mirror, Flip, Day/Night, Anti-flicker

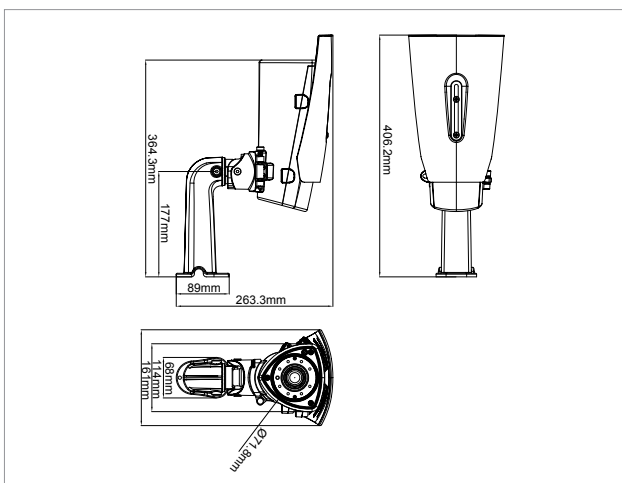
Video

Video Compression	H.264/M-JPEG
Video Streaming	Triple-streaming
Video Resolution	1920x1080 to 320x240
Video Quality	VBR/CBR
Frame Rate	1920x1080 @30 fps 1280x720 @30 fps 720x576 @30 fps 720x480 @30 fps 640x480 @30 fps 320x240 @30 fps

Audio

Audio Streaming	Two-way
Audio Compression	G.711 8KHz/16bit
Audio Input	Line-in
Audio Output	Line-out

Dimension Drawing



Network

Interface	10/100/1000 Mbps Ethernet, RJ-45
Supported Protocols	HTTP, TCP/IP, UDP, RTP, RTSP, FTP, SMTP, DHCP, DNS, DDNS, NTP, uPnP, ONVIF, IPv4/v6
Browser	Internet Explorer (support up to IE 10), Chrome, Firefox, Safari
Security	Multi-level passwords/HTTP encryption

I/O Connector

Audio in/out Port	3.5 mm phone jack x1
D I/O	Dix1, DOx1
RS485	N/A
Micro SD Card Slot	YES
RJ45	YES

Event Management

Event Trigger	Motion detection, DI
Notifications	Trigger alarm output, email/FTP and record video to PC or SD card
Post Recording	YES
Pre Recording	YES

Power

DC/AC	DC12V/AC 24V terminal block
POE	YES/IEEE 802.3af

General

Power Consumption	13W max.
Weight	TBD
Dimension	406.2mm (D) x 161mm (W) x 263.3mm (H)
Operating Temp.	-40°C ~ 60°C /-40°F ~ 140°F
Humidity	90%RH (no condensation)
Certification	CE/FCC
Vandal Resistant	IK08
Weather Proof	IP66
Application	SDK available for application development

Packaging Information

NWT	TBD
GWT	TBD
Dimension	TBD

Ordering Information

- ◆ NCr-221-VHR (P/N: TBA)

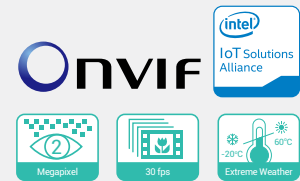
NCK-251

2MP System Camera, 1/2.7" Image Sensor, 2.5" SSD/HDD



Main Features

- X86 open platform
- Full HD1080P @30fps
- 2.5" SSD/HDD supported
- Support -20°C ~ 60°C/-4°F ~ 140°F
- Lens optional



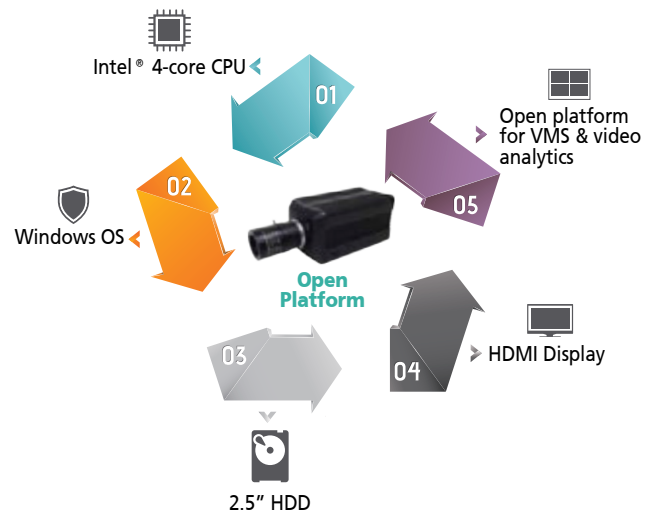
Product Overview

NCK-251 is an innovative product which combines IP camera & NVR in one. Open platform design allows users to integrate preferred VMS and VAs make the IP camera a smarter appliance. Optional 2.5" HDD inside helps to save cost of a storage appliance.

All-in-One System Camera



X86 Open Platform Architecture



Specifications

Camera General Information

CPU	Intel® E3845(Quad Core) Processor
Image Sensor	1/2.7" 2MP image sensor
Main Memory	1 x DDR3L SO-DIMM Socket, Support DDR3L 1600 4GB RAM
Supported OS	Windows 7, 32bit/64bit
Min. lux	B/W0.05 lux/Color 0.5 lux
Lens	CS/C Mount (optional)
Iris Type	Manual Iris
Day and Night	Yes (With ICR)
ICR	YES
Image Enhance	Brightness, Contrast, Saturation, Sharpness, Mirror, Flip, Day/Night, Anti-flicker, AWB

Storage

mSATA	For OS, VMS, Applications
2.5" SSD/HDD	For Video & Audio Recordings

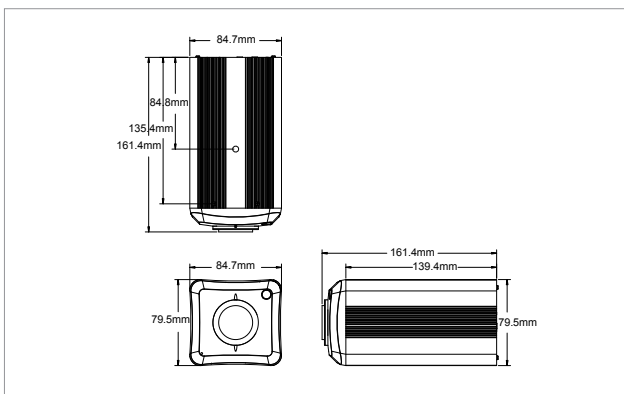
Video

Video Compression	H.264/M-JPEG
Video Streaming	Triple Streaming
Video Resolution	1920x1080 to 320x240
Video Quality	VBR/CBR
Frame Rate	1920x1080 @30 fps 1280x720 @30 fps 720x576 @30 fps 720x480 @30 fps 640x480 @30 fps 320x240 @30 fps

Audio

Audio Streaming	Two-way
Audio Compression	G.711 8KHz/16 bit
Audio Input	Line-in
Audio Output	Line-out

Dimension Drawing



Network

Interface	10/100/1000 Mbps Ethernet, RJ-45
Supported Protocols	HTTP, TCP/IP, UDP, RTP, RTSP, FTP, SMTP, DHCP, DNS, DDNS, NTP, uPnP, ONVIF, IPv4/v6
Browser	Internet Explorer (support up to IE 10), Chrome, Firefox, Safari
Security	Multi-level passwords/HTTP encryption

I/O Connector

Video Display	HDMI
Audio in/out Port	3.5mm phone jack x2
D I/O	DIX1, DOx1
RS485	x1
USB	USB 2.0x2
RJ45	x1
Reset Button	x1

Event Management

Event Trigger	Motion detection, DI
Notifications	Trigger alarm output, email/FTP and record video to local SSD/HDD or remote storage server
Post Recording	YES
Pre Recording	YES

Power

DC/AC	DC 12V/AC 24V terminal block
-------	------------------------------

General

Power Consumption	up to 22W
Weight	1.2Kg
Dimension	160mm(D) x 85mm(W) x 79.5mm(H)
Operating Temp.	-20°C ~ 60°C/-4°F ~ 140°F
Humidity	90% RH (no condensation)
Certification	CE/FCC
Vandal Resistant	N/A
Weather Proof	N/A
Application	SDK available for application developing

Packaging Information

NWT	1.2Kg
GWT	1.42Kg
Dimension	230mm x 150mm x 145mm (Inner Box)

Ordering Information

- ◆ NCK-251 (P/N: TBA)



Main Features

- Built-in Intel® Atom™ D2550 dual core 1.86GHz processor
- Internal wireless communication (3.5G/WLAN/BT/GPS)
- 2 x 2.5" hot swappable HDD Tray for 750G or above video data
- Dual local display by (VGA+HDMI)
- 2 x Intel® 82583V Gigabit Ethernet
- Support 1 x Isolated RS232 port
- Optional power ignition
- 9 ~ 36V wide rang power input

Product Overview

The NVR NViS 2280 is equipped with an Intel® Atom™ D2550 processor in compact design for in-vehicle applications. Incorporating an all-in-one embedded server board, NViS 2280 provides high quality digital recording, real-time display and supports a wide range of megapixel IP cameras.

Specifications

Main Board

- On-board Intel® Atom™ D2550 processor Dual Core 1.86GHz

Main Memory

- 2 x DDR3 1067MHz SODMIM socket, up to 4G

Platform Control Hub

- Intel® ICH10R

I/O Interface-Front

- Power on/off switch
- HDD access/power/LAN status LEDs
- 2 x USB 2.0 ports
- 1 x SIM card holder
- 1 x Speaker-out and 1 x MIC-in
- 4-port Gigabit PoE (IEEE802.3af-16.8W per port)

I/O Interface-Rear

- 2 x Intel® 82583V GbE ports
- 2 x USB 2.0 ports
- 1 x DB15 VGA port
- 1 x HDMI
- 1 x RS232/422/485 with isolated
- 1 x eSATA
- Reserved for 5 optional antenna holes for GPS/Wi-Fi/WWAN
- Built-in G-sensor 3-AXIS digital accelerometer (ADXL345)
- 12V (2A) output for CCVT power source

Communication

- WWAN: through mini-PCIe for optional 3G/3.5G/GPRS/GSM module
- WLAN: through mini-PCIe for optional Wi-Fi module

- PAN: through internal COM for optional BT module
- GPS: through internal COM for GPS module
- PoE: for IP camera module

Storage

- 2 x 2.5" HDD driver bay with hot swap
- 1 x SATA DOM for OS (optional)

Power Requirements

- On-board DC to DC power support from 9V ~ 36VDC
- Optional power adapter

Dimensions

- 235mm (W) x 268mm (D) x 101mm (H)

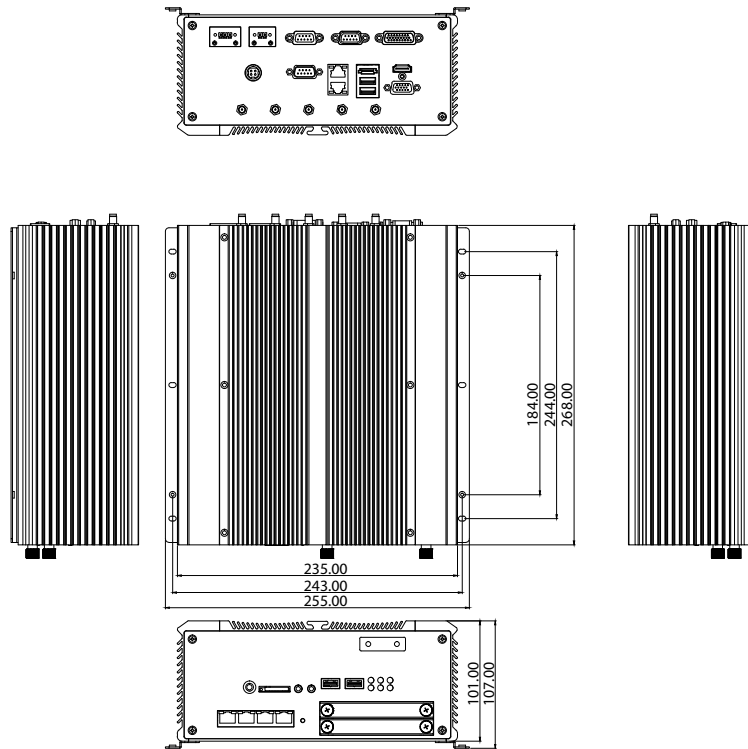
Environment

- Operating Temperature:
Ambient with air flow: -20°C ~ 60°C
- Storage temperature: -40°C ~ 80°C
- Relative humidity: 10% ~ 90% (non-condensing)
- Vibration: STD-810F-514.5 C3- Composite wheeled vehicle (SSD with vibration kit)

Certifications

- CE approval
- FCC Class A
- e13 mark

Dimension Drawing



Ordering Information

- **NViS 2280 (P/N: 10C00228000X0) RoHS Compliant**
PoE Ready, Mobile NVR with Intel® Atom™ D2550 processor

Optional Accessories

- **Anti-vibration kit (P/N: 88C00228000X0)**
- **9~36V Power ignition module (NISKIG120)**
(P/N: 10JKIG12000X0)
- **VMD 1000-B (P/N: 10VD0100000X0)**
7-inch WVGA LCD with touch screen vehicle display



Main Features

- Intel® Atom™ processor quad core E3845, 1.91GHz
- Three SIM cards + dual WWAN modules support
- Built-in U-blox UBX-G6010 GPS, optional Dead Reckoning support
- Built-in CAN Bus 2.0B. Optional OBDII function (SAE J1939/J1708)
- Wake on RTC/SMS via WWAN module
- Compliant with MIL-STD-810G
- 4 x mini-PCIe sockets expansion
- Programmable 8 x GPIO
- Voice communication via WWAN module

Product Overview

NViS 2310 features based on Intel® Core™ quad core processor E3845 (1.91GHz), its CPU performance gives the users the ability to adapt to what they need in any Surveillance applications. Its Intel® HD graphics engine allows users to fully take advantage of NViS 2310 providing a wide variety of display I/O configurations of 2 different video outputs (VGA, DP). NViS 2310 is not only suitable for video surveillance application, It allows NViS 2310 to comply with stringent MIL-STD-810G military standard in rugged, fanless and compact mechanism. NViS 2310 provides complete communication capability between automotive and computer with built-in CAN BUS 2.0B interface. Optional OBDII interface (J1939/J1908) is also available for vehicle diagnostics. NViS 2310 features rich PAN, WLAN and WWAN wireless connectivity. With dual SIM cards support, NViS 2310 allows three SIM cards backup each other for a better connectivity quality by software. In addition, three SIM cards and dual WWAN modules architecture can increase the bandwidth for a faster data transmission speed. Not only data transmission, NViS 2310 also supports two-way voice communication. Equipped with intelligent power management, NViS 2310 can be waked on by ignition, RTC timer or SMS message remotely. By integrating the variety of I/O ports and 4 x mini-PCIe sockets expansibility, NViS 2310 keeps the flexibility to meet the demand for different telematics applications, such as infotainment, fleet management, dispatching system and video surveillance.

Specifications

CPU

- Intel® Atom™ processor quad core E3845, 1.91GHz

Memory

- 1 x 204-pin DDR3L SO-DIMM socket support 1066MHz/1333MHz up to 8GB (default built-in 4GB)

Storage

- 1 x 2.5" SSD/HDD SATA 2.0 (externally accessible, optional lockable storage available)
- 1 x CFast (externally accessible)

Function

- 1 x Default U-blox UBX-G6010 GPS module (50-channel and GALIELO) or optional modules with Dead Reckoning or GLONASS support
- Built-in G-sensor

Expansions

- 1 x Full size mini-PCIe socket (USB 2.0)
- 1 x Full size mini-PCIe socket (USB 2.0)
- 1 x Full size mini-PCIe socket (USB 2.0 + PCIe)
- 1 x Half size mini-PCIe socket (USB 2.0 + PCIe)

Software Support

- Windows 8, WES8

- Window 7, WES7

- Linux kernel 3.X

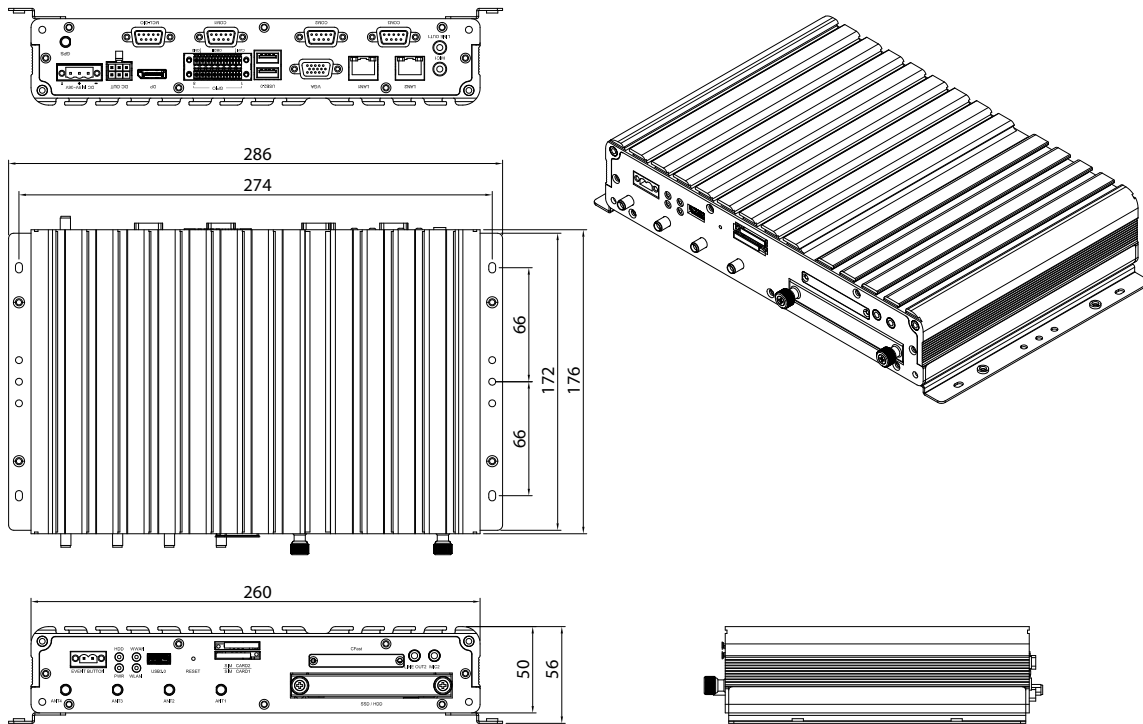
I/O Interface-Front

- 4 x LED for power, storage, WWAN, WLAN
- 2 x Externally accessible SIM card socket (selectable)
- 1 x Phone jack 3.5mm for 1 x MIC-in
- 1 x Phone jack 3.5mm for 1 x Line-out
- 1 x Externally accessible 2.5" SATA 2.0 SSD/HDD tray
- 1 x Externally accessible CFast card socket with cover
- 1 x Event button (trigger type)
- 1 x Reset button
- 1 x Type A USB 3.0 compliant host, supporting system boot up
- 4 x Antenna hole for WWAN/WLAN/BT

I/O Interface-Rear

- 1 x 9 ~ 36VDC input with Ignition
- 2 x Type A USB 2.0 compliant host, supporting system boot up
- 2 x RJ45 10/100/1000 Fast Ethernet with LED
- 1 x Phone jack 3.5mm for 1 x MIC-in
- 1 x Phone jack 3.5mm for 1 x Line-out
- 1 x DB-15 VGA, resolution up to 2560 x 1600 @60Hz
- 1 x DP port, resolution up to 2560 x 1600 @60H
- 1 x Antenna hole for GPS

Dimension Drawing



- 2 x DB-9 RS232 (RI/5V/12V selectable)
- 1 x DB-9 RS422/485
- 1 x DB-9 for CAN 2.0B (optional CAN Bus 2.0B mini-PCIe card)
- 2 x MCU-DI and 2 x MCU-DO
- 1 x 16-pin terminal block
- 1 x CAN Bus 2.0B (on board)
- 1 x Optional OBDII module (ASE J1939 or J1708)
- 8 x GPIO (Programmable Digital Input or optional isolation) (Digital Input)
Input voltage (internal type): 5VDC TTL (default)
Input voltage (source type): 3 ~ 12VDC (Programmable Digital Output or optional isolation) (Digital Output)
Digital output (sink type): 5VDC TTL (default), max. current: 20mA
Digital output (source type): 3 ~ 24VDC, max. current: 150mA
- 1 x 12VDC output (2A), SM Bus

Power Management

- Selectable boot-up & shut-down voltage for low power protection by software
- Setting 8-level power on/off delay time by software
- Status of ignition and low voltage can be detected by software
- Support S3/S4 suspend mode

Dimensions

- 260mm (W) x 176mm (D) x 50mm (H) (10.24" x 6.93" x 1.97")
- Weight: 2.1kg

Environment

- Operating temperature: Ambient with air -30°C ~ 70°C (SSD)
- Storage temperature: -35°C ~ 85°C
- Relative humidity: 10% ~ 90% (non-condensing)
- Vibration (random): 1g@5 ~ 500Hz (in operation, HDD), 2g@5 ~ 500Hz (in operation, SSD)
- Vibration (SSD/HDD):
Operating: MIL-STD-810G, Method 514.6, Category 4, common carrier
US highway truck vibration exposure
Storage: MIL-STD-810G, Method 514.6, Category 24, minimum integrity test

- Shock (SSD/HDD):
Operating: MIL-STD-810G, Method 516.6, Procedure I, functional shock=20g
Non-operating: MIL-STD-810G, Method 516.6, Procedure V, crash hazard shocktest=75g

Certifications

- CE approval
- FCC Class B
- E13 Mark

Ordering Information

- **NViS 2310 (P/N: 10C00231000X0)**



Main Features

- Support Intel® Core™ i7/i5 socket processor
- Mobile Intel® QM57 PCH
- Dual Intel® Gigabyte Ethernet ports
- Dual VGA/DVI or VGA/HDMI or DVI/HDMI display
- 3 x RS232 and 1 x RS232/422/485 with auto flow control
- On-board DC to DC power design to support 9V ~ 30VDC power input
- Support ATX power mode and PXE/WoL
- Support 3G/Wi-Fi/GPS communications
- 1 x PCIe1 slot for ANPR/LPR video capture

Product Overview

Utilizing 32nm Intel® Core™ i7/i5 processor, NViS 3542 series features Intel® Turbo Boost and Intel® Hyper-Threading technologies (2 cores, 4 threads), as well as on-processor graphics and two DDR3 800/1066 memory modules up to 8GB. In addition, NViS 3542 provides a wide variety of display I/O configurations and rich I/O interfaces including two Intel® GbE Ethernet ports, 5 x COM ports, 6 x USB, 8 x GPIO, 2 x SATAII, 2 x eSATA, audio interfaces. NViS 3542 is designed for LPR/ANPR surveillance or a broad range of applications which demand intense graphics performance; these include medical diagnostic equipment.

Specifications

Main Board

- On-board Mobile Intel® QM57 Platform Controller Hub
- Support Intel® Core™ i7-620M PGA processor (2.66GHz, 4M cache)
- Support Intel® Core™ i5-520M PGA processor (2.4GHz, 3M cache)

Main Memory

- 2 x 240-pin memory DIMM, up to 8GB DDR3 800/1066MHz SDRAM, un-buffered and non-ECC

I/O Interface-Front

- ATX power on/off switch
- HDD access/power status LEDs
- Wireless active LEDs
- 2 x Antenna holes
- 2 x USB 2.0 ports
- 1 x Line-out and 1 x MIC-in
- 1 x HDMI
- 1 x External SIM card holder

I/O Interface-Rear

- 2-Pin remote power on/off switch (support power ignition module)
- 9 ~ 30VDC input
- 1 x PS/2 for keyboard/mouse
- 1 x DB15 male connector for GPIO (4 x input and 4 x output)
- 1 x DB44 serial port for 4 x RS232 (COM2: RS232/422/485 with auto flow control)
- 2 x GbE LAN ports
- 4 x USB 2.0 ports
- 1 x DB15 VGA port
- 1 x DVI-D port

- 1 x Speaker-out and 1 x MIC-in

Storage

- 2 x 2.5" HDD driver bay (support 1 x 2.5 HDD with hot swap)

Communications

- WAL: through mini-PCIe for optional 3G/3.5G/GSM module
- WLAN: through mini-PCIe for optional Wi-Fi module (either one)
- GPS: through internal COM for GPS module

Expansion

- 1 x PCIe1 slot for ANPR/LPR video capture card
- 1 x mini-PCIe socket for 3G/Wi-Fi (Depend on SKU# selected)

Dimensions

- 235mm (W) x 268mm (D) x 101mm (H)

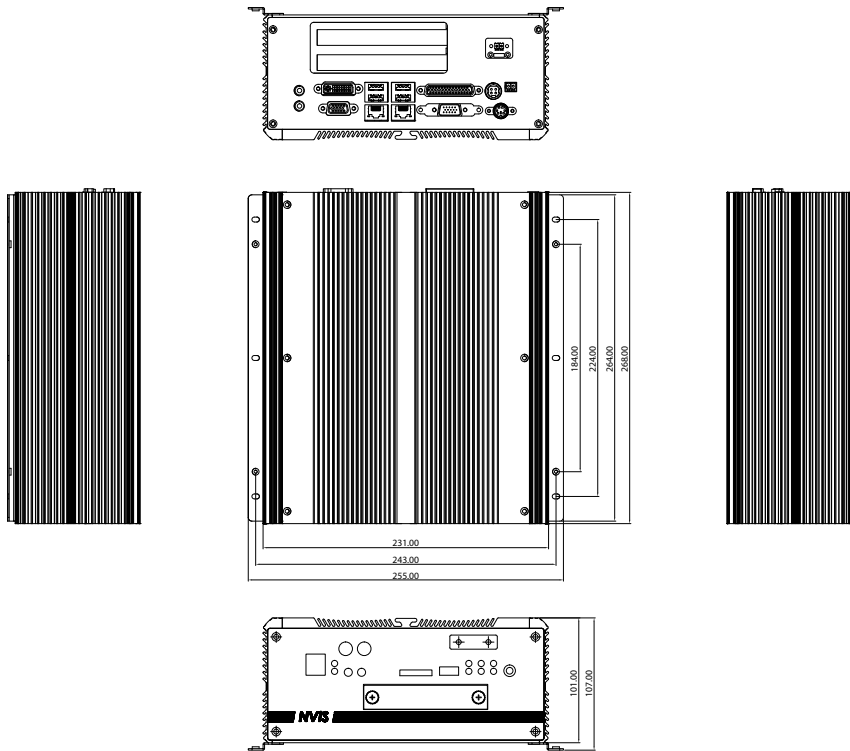
Construction

- Aluminum chassis

Environment

- Operating Temperature:
 - Ambient with air flow: -5°C ~ 55°C (according to IEC60068-2-1, IEC60068-2-2, IEC60068-2-14)
- Storage temperature: -20°C ~ 80°C
- Relative humidity: 10% ~ 93% (non-condensing)
- Vibration (random): 2g@5 ~ 500Hz with SSD; 1g@5 ~ 500Hz with HDD (in operation)
- Vibration: STD-810F-514.5 C3 -Composite wheeled vehicle (SSD with vibration kit)

Dimension Drawing



Certifications

- CE approval
- FCC Class A
- e13 Mark

Ordering Information

- ♦ **NViS 3542 (P/N: 10C00354202X0) RoHS Compliant**
ANPR/LPR Mobile NVR Surveillance System with Intel® Core™ i7/i5 processor, 1 x PCIe slot, WWAN supported
- ♦ **NViS 3542W (P/N: 10C00354205X0) RoHS Compliant**
ANPR/LPR Mobile NVR Surveillance System with Intel® Core™ i7/i5 processor, 1 x PCIe slot, WLAN supported

Optional Accessories

- ♦ **Anti-vibration kit (P/N: 88C00354002X0)**
- ♦ **9~36V Power ignition module NISKIG120 (P/N: 10JKIG12000X0)**



NViS 3542P4



NViS 3542P8

Main Features

- Support Intel® Core™ i7/i5 socket processor
- Mobile Intel® QM57 PCH
- Dual Intel® Gigabit Ethernet ports
- Dual VGA/DVI or VGA/HDMI or DVI/HDMI Display
- 3 x RS232 and 1 x RS232/422/485 with auto flow control
- On-board DC to DC power design to support 9V ~ 30VDC power input
- Support ATX power mode and PXE/WoL
- 4 x PoE ports (3542P4)/8 x PoE ports (3542P8)
- Support 3G/Wi-Fi/GPS communications

Product Overview

Utilizing 32nm Intel® Core™ i7/i5 processor, NViS 3542P series features Intel® Turbo Boost and Intel® Hyper-Threading technologies (2 cores, 4 threads), as well as on-processor graphics and two DDR3 800/1066 memory modules up to 8GB. In addition, NViS 3542P series provide optional 4 or 8 PoE ports which support IEEE802.3af and allows up to 16.8W maximum per port, a wide variety of display I/O configurations and rich I/O interfaces including two Intel® GbE Ethernet ports, 5 x COM ports, 6 x USB, 8 x GPIO, 2 x SATAII, 2 x eSATA, audio interfaces. NViS 3542P is designed for a broad range of applications which demand intense graphics performance; these include medical diagnostic equipment.

Specifications

Main Board

- On-board Mobile Intel® QM57 Platform Controller Hub
- Support Intel® Core™ i7-620M PGA processor (2.66GHz, 4M cache)
- Support Intel® Core™ i5-520M PGA processor (2.4GHz, 3M cache)

Main Memory

- 2 x 240-pin memory DIMM, up to 8GB DDR3 800/1066MHz SDRAM, un-buffered and non-ECC

I/O Interface-Front

- ATX power on/off switch
- HDD access/power status LEDs
- Wireless active LEDs
- 2 x Antenna holes
- 2 x USB 2.0 ports
- 1 x Line-out and 1 x MIC-in
- 1 x HDMI
- 1 x External SIM card holder

I/O Interface-Rear

- 2-Pin remote power on/off switch (support power ignition module)
- 9 ~ 30VDC input
- 1 x PS/2 for keyboard/mouse
- 1 x DB15 male connector for GPIO (4 x input and 4 x output)
- 1 x DB44 serial port for 4 x RS232 (COM2: RS232/422/485 with auto flow control)
- 2 x GbE LAN ports
- 4 x USB 2.0 ports
- 1 x DB15 VGA port
- 1 x DVI-D port

- 1 x Speaker-out and 1 x MIC-in
- 4-port PoE (IEEE802.3af-16.8W per port) NViS 3542P4
- 8-port PoE (IEEE802.3af-16.8W per port) NViS 3542P8

Storage

- 2 x 2.5" HDD driver bay (NViS 3542P4, support 1 x hot-swappable)
- 2 x 2.5" Internal HDD driver bay (NViS 3542P8)

Communication

- WAN: through mini-PCIe for optional 3G/3.5G/GSM module
- WLAN: through mini-PCIe for optional Wi-Fi module (either one)
- GPS: through internal COM for GPS module

Expansion

- 1 x mini-PCIe socket for 3G/Wi-Fi (Depend on SKU# selected)

Dimensions

- 235mm (W) x 268mm (D) x 101mm (H)

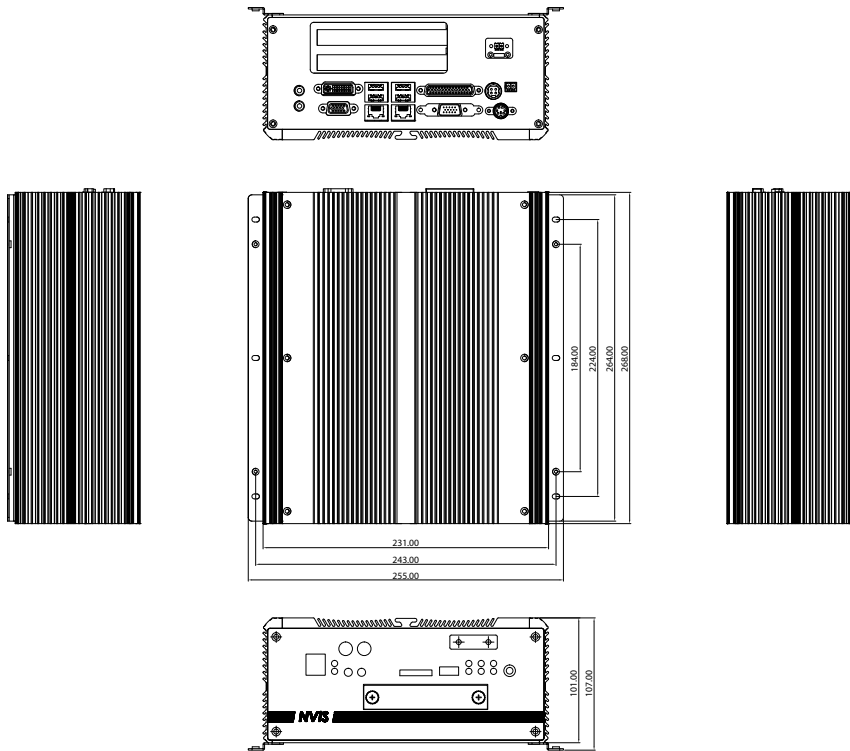
Construction

- Aluminum chassis

Environment

- Operating Temperature: Ambient with air flow: -5°C ~ 55°C (according to IEC60068-2-1, IEC60068-2-2, IEC60068-2-14)
- Storage temperature: -20°C ~ 80°C
- Relative humidity: 10% ~ 93% (non-condensing)
- Vibration (random): 2g@5 ~ 500Hz with SSD; 1g@5 ~ 500Hz with HDD (in operation)
- Vibration: STD-810F-514.5 C3- Composite wheeled vehicle (SSD with vibration kit)

Dimension Drawing



Certifications

- CE approval
- FCC Class A
- e13 Mark

Ordering Information

- **NViS 3542P4 (P/N: 10C00354201X0) RoHS Compliant**
In-vehicle Mobile NVR surveillance system with Intel® Core™ i7/i5 and 4 PoE ports, WWAN supported
- **NViS 3542P8 (P/N: 10C00354200X0) RoHS Compliant**
In-vehicle Mobile NVR surveillance system with Intel® Core™ i7/i5 and 8 PoE ports, WWAN supported
- **NViS 3542WP4 (P/N: 10C00354204X0) RoHS Compliant**
In-vehicle Mobile NVR Surveillance System with Intel® Core™ i7/i5 and 4 PoE ports, WLAN supported
- **NViS 3542WP8 (P/N: 10C00354203X0) RoHS Compliant**
In-vehicle Mobile NVR Surveillance System with Intel® Core™ i7/i5 and 8 PoE ports, WLAN supported

Optional Accessories

- **Anti-vibration kit (P/N: 88C00354002X0)**
- **9~36V Power ignition module NISKIG120 (P/N: 10JKIG12000X0)**



Main Features

- Intel® Core™ processor dual core i5-4300U
- Three SIM cards + dual WWAN modules support
- Dual externally accessible SATA 3.0 SSD/HDD
- Built-in U-blox UBX-G6010 GPS, optional Dead Reckoning support
- Built-in CAN 2.0B. Optional OBDII function (SAE J1939/J1708)
- Wake on RTC/SMS via WWAN module
- Voice communication via WWAN module
- Compliant with MIL-STD-810G
- 4 x mini-PCIe socket rich expansion capability

Product Overview

NViS 3620 features powerful new generation Intel® Core™ processor i5-4300U. Its CPU performance gives the users the ability to adapt to what they need in any Surveillance applications. Its Intel® HD graphics 4400 engine allows users to fully take advantage of NViS 3620 providing a wide variety of display I/O configurations of 2 different video outputs (VGA, DP). NViS 3620 is equipped with 2 externally accessible SSD/HDD tray users can easily download or upload the data on other devices by just removing the storage devices from NViS 3620. By integrating the variety of I/O ports and 4 x mini-PCIe sockets expansibility, NViS 3620 is not only suitable for video surveillance application, but also can meet the demand for other telematics applications, such as infotainment, fleet management and dispatching system. With dual SIM cards support, NViS 3620 allows three SIM cards backup each other for a better connectivity quality by software. In addition, three SIM cards + dual WWAN modules architecture can increase the bandwidth for a faster data transfer speed. Not only data transmission, NViS 3620 also supports two-way voice communication. Equipped with intelligent power management, NViS 3620 can be waked on by ignition, RTC timer or SMS/Ring remotely.

Specifications

CPU

- Intel® Core™ processor dual core i5-4300U, 1.9GHz

Memory

- 2 channel 204-pin DDR3L SO-DMIM socket support 1333/1600MHz up to 16GB (default built-in 4GB)

Storage

- 2 x 2.5" SATA 3.0 SSD/HDD (externally accessible), RAID 0/1 supported (optional lockable storage available)
- 1 x CFast (externally accessible)

Expansion

- 1 x Full size mini-PCIe socket (USB 2.0)
- 1 x Full size mini-PCIe socket (USB 2.0 + PCIe)
- 1 x Full size mini-PCIe socket (USB 2.0 + PCIe)
- 1 x Half size mini-PCIe socket (USB 2.0 + PCIe)

Function

- 1 x default U-blox UBX-G6010 GPS module (50-channel and GALIELO) or optional modules with Dead Reckoning or GLONASS support
- Built-in G-sensor

Software Support

- Windows 8, WES8

- Window 7, WES7
- Linux kernel 3.X

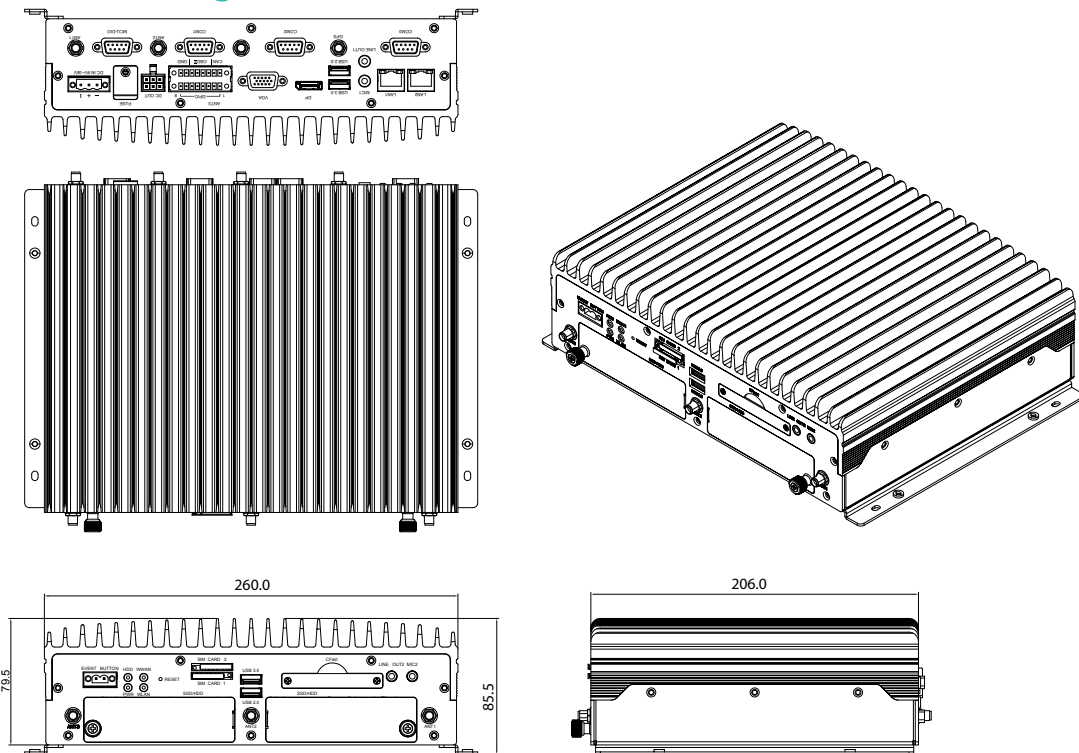
I/O Interface-Front

- 4 x LED For power, storage, WWAN, WLAN
- 2 x Externally accessible SATA 3.0 SSD/HDD tray, RAID 0/1 supported (optional lockable storage available)
- 1 x Dual USB type A connector for USB 3.0 port + USB 2.0 port
- 2 x Externally accessible SIM card socket (selectable)
- 1 x Phone jack 3.5mm for 1 x MIC-in
- 1 x Phone jack 3.5mm for 1 x Line-out
- 1 x Externally accessible CFast card socket with cover
- 1 x Event button (trigger type)
- 1 x Reset button
- 3 x Antenna hole for WWAN/WLAN/BT

I/O Interface-Rear

- 1 x 9 ~ 36VDC input with ignition
- 1 x Dual USB type A connector for USB 3.0 port + USB 2.0 port
- 2 x RJ45 10/100/1000 Fast Ethernet with LED
- 1 x Phone jack 3.5mm for 1 x MIC-in
- 1 x Phone jack 3.5mm for 1 x Line-out with 1.5W output each
- 1 x DB-15 VGA. Resolution up to 2560 x 1600 @60Hz
- 1 x DP port. Resolution up to 2560 x 1600 @60Hz
- 2 x DB-9 RS232

Dimension Drawing



- 1 x DB-9 RS232/422/485 (RI/5V/12V selectable)
- 1 x DB-9 for CAN 2.0B (optional CAN Bus 2.0B mini-PCIe card), 2 x MCU-DI and 2 x MCU-DO
- 1 x 16-pin terminal block
- 1 x CAN Bus 2.0B (on board)
- 1 x Optional OBDII module (ASE J1939 or J1708)
- 8 x Programmable GPIO
(Digital Input)
Input voltage (internal type): 5VDC TTL (default)
Input voltage (source type): 3 ~ 12VDC
(Digital Output)
Digital output (sink type): 5VDC TTL (default), max. current: 20mA
Digital output (source type): 3 ~ 24VDC, max. current: 150mA
- 1 x 12VDC output (2A), SM Bus
- 4 x Antenna hole for WWAN/WLAN/BT/GPS
- 1 x Fuse (15A)

Power Management

- Selectable boot-up & shut-down voltage for low power protection by software
- Setting 8-level power on/off delay time by software
- Status of ignition and low voltage can be detected by software
- Support S3/S4 suspend mode

Dimensions

- 260mm (W) x 206mm (D) x 79.5mm (H) (10.24" x 8.11" x 3.13")
- Weight: 2.5kg

Environment

- Operating temperature: Ambient with air -30°C ~ 60°C
- Storage temperature: -35°C ~ 85°C
- Relative humidity: 10% ~ 90% (non-condensing)
- Vibration (random): 1.5g@5 ~ 500Hz (in operation, HDD), 2g@5 ~ 500Hz (in operation, SSD)
- Vibration (SSD/HDD):
Operating: MIL-STD-810G, Method 514.6, Category 4, common carrier
US highway truck vibration exposure
Storage: MIL-STD-810G, Method 514.6, Category 24, minimum integrity test

- Shock (SSD/HDD):
Operating: MIL-STD-810G, Method 516.6, Procedure I, functional shock=20g Non-operating: MIL-STD-810G, Method 516.6, Procedure V, crashhazard shock test=75g

Certifications

- CE approval
- FCC Class B
- E13 Mark

Ordering Information

- **NViS 3620 (P/N: 10C00362000X0)**



Main Features

- Intel® Core™ processor dual core i7-4650U
- Three SIM cards + dual WWAN modules support
- Dual externally accessible SATA 3.0 SSD/HDD
- Built-in U-blox UBX-G6010 GPS, optional Dead Reckoning support
- Built-in CAN 2.0B. Optional OBDII function (SAE J1939/J1708)
- Wake on RTC/SMS via WWAN module
- Voice communication via WWAN module
- Compliant with MIL-STD-810G
- 4 x mini-PCIe socket rich expansion capability

Product Overview

NViS 3720 features powerful new generation Intel® Core™ processor i7-4650U. Its CPU performance gives the users the ability to adapt to what they need in any Surveillance applications. Its Intel® HD graphics 5000 engine allows users to fully take advantage of NViS 3720 providing a wide variety of display I/O configurations of 2 different video outputs (VGA, DP). NViS 3720 is equipped with 2 externally accessible SSD/HDD tray users can easily download or upload the data on other devices by just removing the storage devices from NViS 3720. By integrating the variety of I/O ports and 4 x mini-PCIe sockets expansibility, NViS 3720 is not only suitable for video surveillance application, but also can meet the demand for other telematics applications, such as infotainment, fleet management and dispatching system. With dual SIM cards support, NViS 3720 allows three SIM cards backup each other for a better connectivity quality by software. In addition, three SIM cards + dual WWAN modules architecture can increase the bandwidth for a faster data transfer speed. Not only data transmission, NViS 3720 also supports two-way voice communication. Equipped with intelligent power management, NViS 3720 can be waked on by ignition, RTC timer or SMS/Ring remotely.

Specifications

CPU

- Intel® Core™ processor dual core i7-4650U, 1.7GHz

Memory

- 2 Channel 204-pin DDR3L SO-DIMM socket support 1333/1600MHz up to 16GB (default built-in 4GB)

Storage

- 2 x 2.5" SATA 3.0 SSD/HDD (externally accessible), RAID 0/1 supported (optional lockable storage available)
- 1 x CFAST (externally accessible)

Expansion

- 1 x Full size mini-PCIe socket (USB 2.0)
- 1 x Full size mini-PCIe socket (USB 2.0 + PCIe)
- 1 x Full size mini-PCIe socket (USB 2.0 + PCIe)
- 1 x Half size mini-PCIe socket (USB 2.0 + PCIe)

Function

- 1 x Default U-blox UBX-G6010 GPS module (50-channel and GALIELO) or optional modules with Dead Reckoning or GLONASS support
- Built-in G-sensor

Software Support

- Windows 8, WES8

- Window 7, WES7
- Linux kernel 3.X

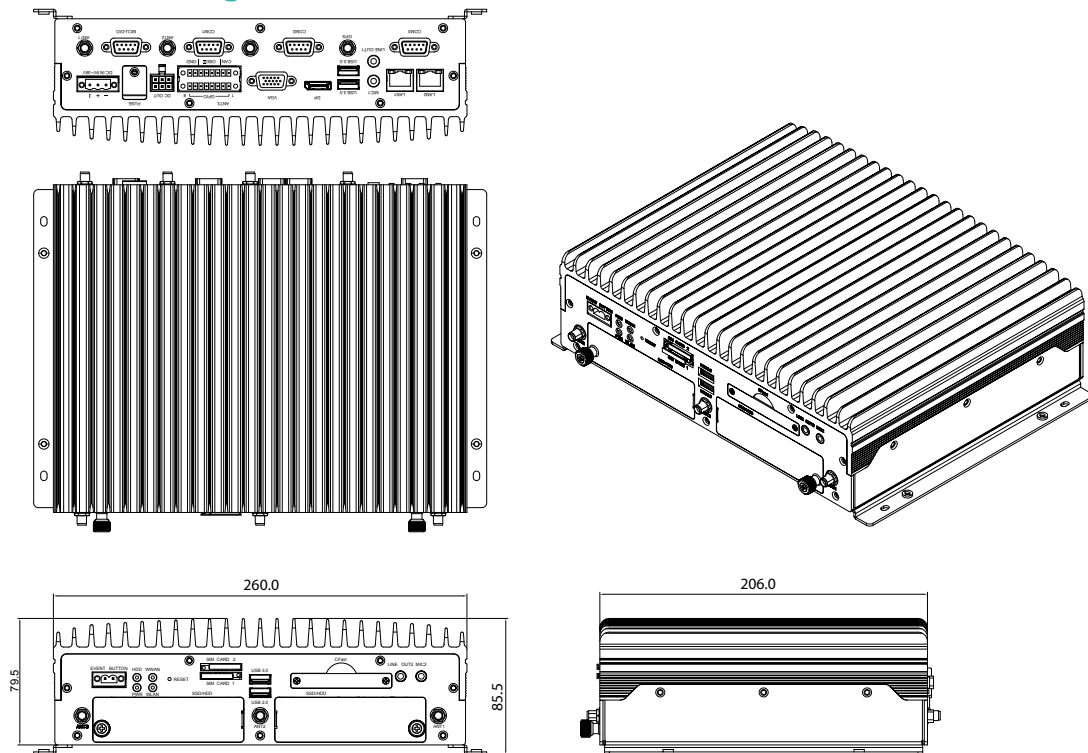
I/O Interface-Front

- 4 x LED for power, storage, WWAN, WLAN
- 2 x Externally accessible SATA 3.0 SSD/HDD tray, RAID 0/1 supported (optional lockable storage available)
- 1 x Dual USB type A connector for USB 3.0 port + USB 2.0 port
- 2 x Externally accessible SIM card socket (selectable)
- 1 x Phone jack 3.5mm for 1 x MIC-in
- 1 x Phone jack 3.5mm for 1 x Line-out
- 1 x Externally accessible CFAST card socket with cover
- 1 x Event button (trigger type)
- 1 x Reset button
- 3 x Antenna hole for WWAN/WLAN/BT

I/O Interface-Rear

- 1 x 9 ~ 36VDC input with ignition
- 1 x Dual USB type A connector for USB 3.0 port + USB 2.0 port
- 2 x RJ45 10/100/1000 Fast Ethernet with LED
- 1 x Phone jack 3.5mm for 1 x MIC-in
- 1 x Phone jack 3.5mm for 1 x Line-out with 1.5W output each
- 1 x DB-15 VGA. Resolution up to 2560 x 1600 @60Hz
- 1 x DP port. Resolution up to 2560 x 1600 @60Hz

Dimension Drawing



- 2 x DB-9 RS232
- 1 x DB-9 RS232/422/485 (R)/5V/12V selectable)
- 1 x DB-9 for CAN 2.0B (optional CAN Bus 2.0B mini-PCIe card), 2 x MCU-DI and 2 x MCU-DO
- 1 x 16-pin terminal block
- 1 x CAN Bus 2.0B (on board)
- 1 x Optional OBDII module (ASE J1939 or J1708)
- 8 x Programmable GPIO
(Digital Input)
Input voltage (internal type): 5VDC TTL (default)
Input voltage (source type): 3 ~ 12VDC
(Digital Output)
Digital Output (sink type): 5VDC TTL (default), max. current: 20mA
Digital Output (source type): 3 ~ 24VDC, max. current: 150mA
- 1 x 12VDC output (2A), SM Bus
- 4 x antenna hole for WWAN/WLAN/BT/GPS
- 1 x Fuse (15A)

Power Management

- Selectable boot-up & shut-down voltage for low power protection by software
- Setting 8-level power on/off delay time by software
- Status of ignition and low voltage can be detected by software
- Support S3/S4 suspend mode

Dimensions

- 260mm (W) x 206mm (D) x 79.5mm (H) (10.24" x 8.11" x 3.13")
- Weight: 2.5kg

Environment

- Operating temperature: Ambient with air -30°C ~ 60°C
- Storage temperature: -35°C ~ 85°C
- Relative humidity: 10% ~ 90% (non-condensing)
- Vibration (random): 1.5g@5 ~ 500Hz (in operation, HDD), 2g@5 ~ 500Hz (in operation, SSD)
- Vibration (SSD/HDD):
Operating: MIL-STD-810G, Method 514.6, Category 4, common carrier
US highway truck vibration exposure
- Storage: MIL-STD-810G, Method 514.6, Category 24, minimum

- integrity test
- Shock (SSD/HDD):
Operating: MIL-STD-810G, Method 516.6, Procedure I, functional
shock=20g Non-operating: MIL-STD-810G, Method 516.6, Procedure
V, crashhazard shock test=75g

Certifications

- CE approval
- FCC Class B
- E13 Mark

Ordering Information

- **NViS 3720 (P/N: 10C00372000X0)**



Main Features

- Support LGA1150 socket 4th Generation Intel® Core processor
- Multiple display (HDMI, VGA)
- 4 x 3.5" SATA drive bay for 16 TB video data with RAID.
- 2 x Intel® Gigabit Ethernet

Product Overview

The NVR NViS 5604-i5 is equipped with Intel® 4th Generation Core™ processor which supports up to 16GB DDR3 1333/1600MHz memory, along with integrated graphics controller, Intel HD Graphic 4600, for large application to support multiple display outputs simultaneously. In addition, NViS 5604-i5 provides high quality digital recording, real-time display and supports a wide range of megapixel IP cameras. Moreover, NViS 5604-i5 offers the rich I/O configurations, including, HDMI, VGA, 3 x COM ports, 2 Intel® GbE ports, 4 x USB3.0 and 2 x USB2.0, and audio interfaces.

Specifications

CPU Support

- LGA1150 socket for Intel® 4th Generation Core™ processor i5-4570TE, Quad Core, 2.7GHz

Memory

- Dual channel of DDR3 1066/1333/1600MHz SDRAM, max. 16 GB

Platform Control Hub

- Intel® Q87

I/O Interface-Front

- Power & HDD status LED
- 2 x USB2.0 ports

I/O Interface-Rear

- 2 x RJ45
- 4 x USB3.0 ports
- 1 x HDMI (supports max. resolution 1920x1200)
- 1 x VGA (supports max. resolution 2048x1536)
- 3 x Serial Ports (RS-232/422/485)
- 1 x Min-in & 1 x Line-Out
- Power on/off switch

Expansions

- 1 x mini-PCIe for mini-PCIe DOM or 1 x PCIe(x16) for RAID controller

Storage

- 4 x 3.5" SATA removable drive bay, supports SATA2/3 and SW RAID 0/1/5/10 (HW RAID optional)

Power Input

- 250W ATX power supply, AC 100V to 240V

Dimensions

- 200mm (W) x 250mm (H) x 303mm (D)

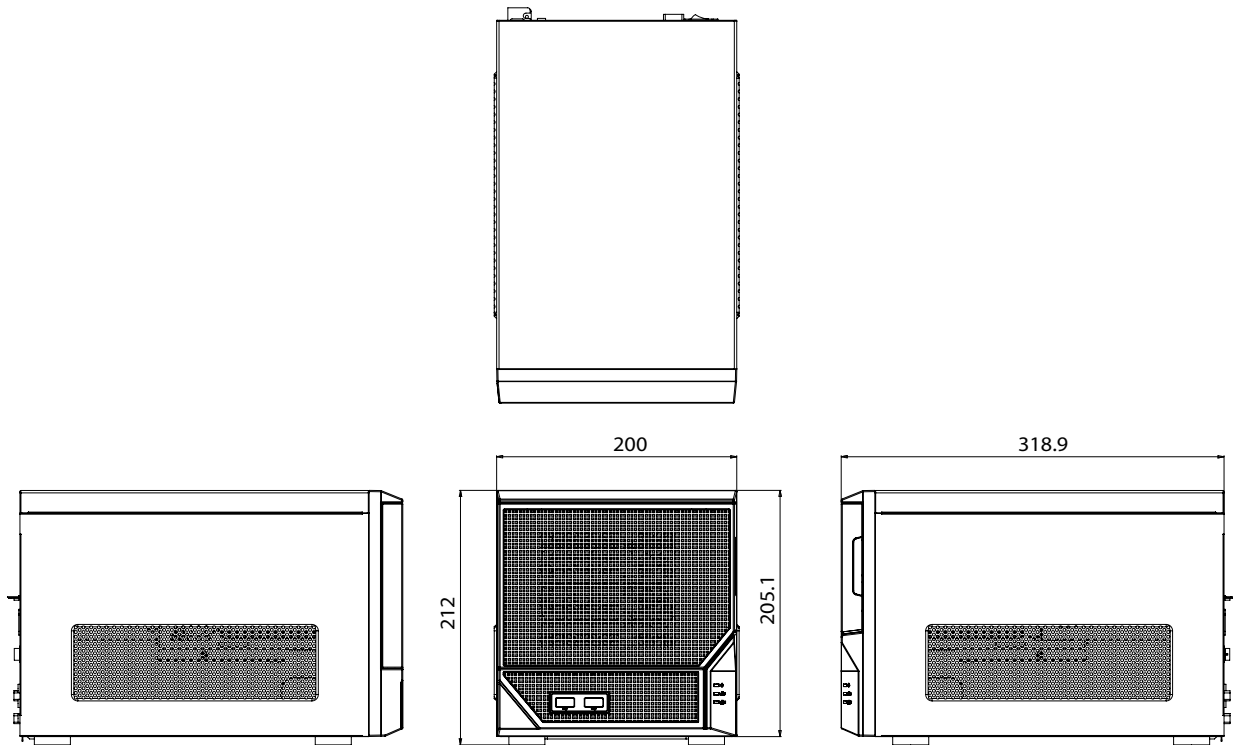
Environment

- Operating Temperature:
Ambient with air flow: 0°C ~ 40°C
- Storage temperature: -20°C ~ 70°C
- Relative humidity: 10% ~ 90% (non-condensing)

Certifications

- CE approval
- FCC Class A

Dimension Drawing



Ordering Information

- **NViS 5604-i5 (P/N: 10C00560405X0) RoHS Compliant**
4 bay, Tower NVR with Intel® LGA1150 Socket 4th Generation Intel® Core™ Processor



Main Features

- Support LGA1150 socket 4th Generation Intel® Core™ processor
- Multiple display (HDMI, VGA)
- 4 x 3.5" SATA drive bay for 16 TB video data with RAID
- 2 x Intel® Gigabit Ethernet

Product Overview

The NVR NViS 5604-i7 is equipped with Intel® 4th Generation Core™ processor which supports up to 16GB DDR3 1333/1600MHz memory, along with integrated graphics controller, Intel HD Graphic 4600, for large application to support multiple display outputs simultaneously. In addition, NViS 5604-i7 provides high quality digital recording, real-time display and supports a wide range of megapixel IP cameras. Moreover, NViS 5604-i7 offers the rich I/O configurations, including, HDMI, VGA, 3 x COM ports, 2 Intel® GbE ports, 4 x USB3.0 and 2 x USB2.0, and audio interfaces.

Specifications

CPU Support

- LGA1150 socket for Intel® 4th Generation Core™ processor i7-4770TE, Quad Core, 2.3GHz

Memory

- Dual channel of DDR3 1066/1333/1600MHz SDRAM, max. 16 GB

Platform Control Hub

- Intel® Q87

I/O Interface-Front

- Power & HDD status LED
- 2 x USB2.0 ports

I/O Interface-Rear

- 2 x RJ45
- 4 x USB3.0 ports
- 1 x HDMI (supports max. resolution 1920x1200)
- 1 x VGA (supports max. resolution 2048x1536)
- 3 x Serial Ports (RS-232/422/485)
- 1 x Min-in & 1 x Line-out
- Power on/off switch

Expansions

- 1 x mini-PCIe for mini-PCIe DOM or 1 x PCIe(x16) for RAID controller

Storage

- 4 x 3.5" SATA removable drive bay, supports SATA2/3 and SW RAID 0/1/5/10 (HW RAID optional)

Power Input

- 250W ATX power supply, AC 100V to 240V

Dimensions

- 200mm (W) x 250mm (H) x 303mm (D)

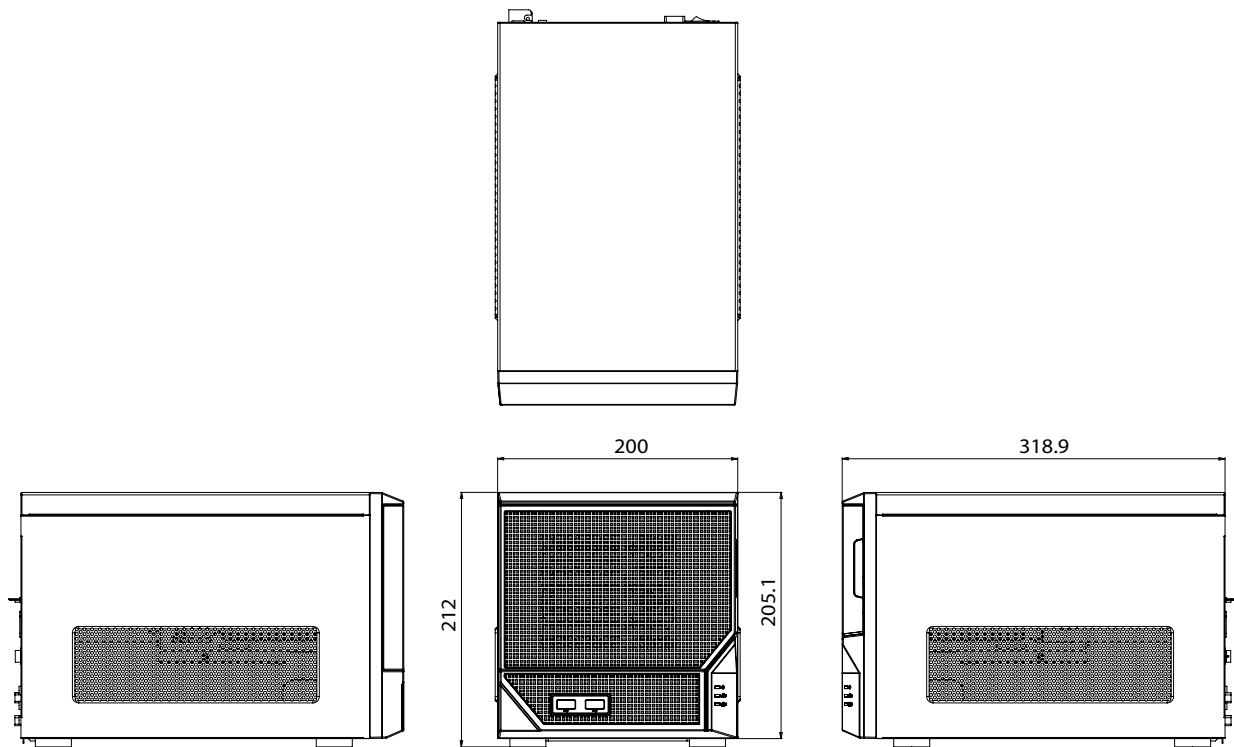
Environment

- Operating Temperature:
Ambient with air flow: 0°C ~ 40°C
- Storage temperature: -20°C ~ 70°C
- Relative humidity: 10% ~ 90% (non-condensing)

Certifications

- CE approval
- FCC Class A

Dimension Drawing



Ordering Information

- **NViS 5604-i7 (P/N: 10C00560406X0) RoHS Compliant**
4 bay, Tower NVR with Intel® LGA1150 Socket 4th Generation Intel® Core™ Processor



Main Features

- 2U rackmount NVR with 1 x PCIe16 expansion slots available
- Support Intel® Core™ i3/i5/i7 desktop processors
- 8 x 3.5" Hot-swappable HDD trays
- Dual local display by (VGA+DVI), (VGA+ HDMI) or (DVI+HDMI)
- 2 x Intel® gigabit ethernet/support Intel® AMT 7.0 for remote management
- 1 x PCIe16 slot, support SATA 3.0, RS232/422/485

Product Overview

The NVR NViS 6220 is equipped with an Intel® Core™ i3/i5/i7 processor. Incorporating an all-in-one embedded server board, the NViS 6220 provides high quality digital recording on high-resolution IP cameras.

Specifications

Main Board

- NEX 882L

CPU Support

- Intel® Core™ i7 2600 desktop processor (8M cache 3.4 GHz, LGA 1155)
- Intel® Core™ i5 2400 desktop processor (6M cache 3.1 GHz, LGA 1155)
- Intel® Core™ i3 2120 desktop processor (3M cache 3.3 GHz, LGA 1155)

Main Memory

- 4 x 240-pin memory DIMM sockets, up to 16GB DDR3 1066/1333 MHz SDRAM, un-buffered and non-ECC

Platform Control Hub

- Intel® Q67

I/O Interface-Front

- Power on/off switch
- HDD access/power status LEDs
- 2 x USB 2.0 ports

I/O Interface-Rear

- 2 x GbE ports
- 4 x USB 2.0 ports
- 1 x DB15 VGA port
- 1 x DVI-D port
- 1 x RS232/1 x RS232/422/485 (internal)
- 1 x HDMI
- 1 x Speaker-out/1 x Line-in and 1 x Mic-in

Expansion Slot

- 1 x PCIe x16 (internal use)
- 1 x mini-PCIe (internal use)

Cooling System

- 2 x 80mm fan for system cooling
- 1 x copper heatsink with fan for CPU cooling

Power Input

- 600W ATX industrial-grade power supply
- AC 100V to 240V

Dimensions

- 535.2mm (D) x 440.9mm (W) x 88.1mm (H)

Construction

- 2U rackmount, heavy-duty steel chassis

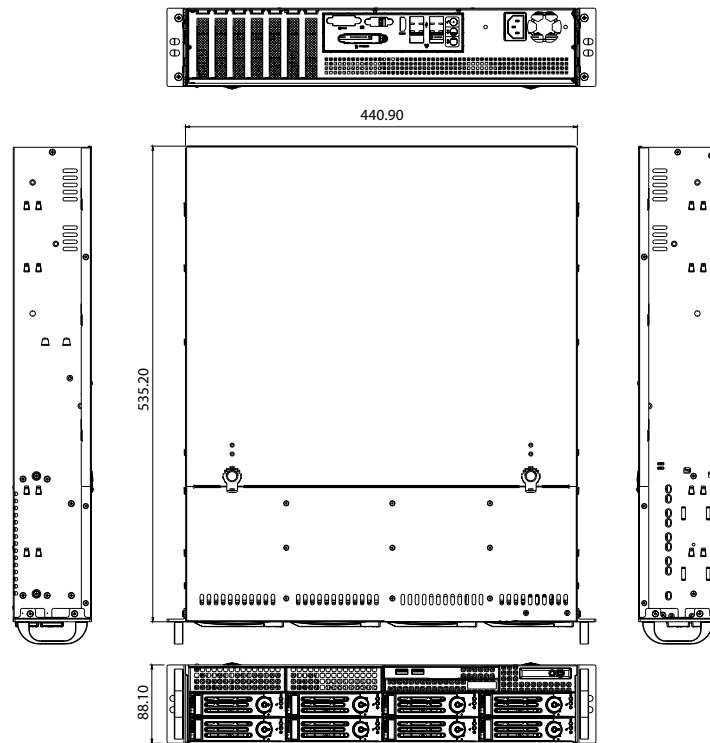
Environment

- Operating Temperature : Ambient with air flow : 0°C ~ 45°C
- Storage temperature : -20°C ~ 70°C
- Relative humidity : 10% ~ 90% (non-condensing)

Certifications

- CE approval
- FCC Class A

Dimension Drawing



Ordering Information

- **NViS 6220 (P/N: 10C0622000X0) RoHS Compliant**
2U, NVR with Intel® Core™ i3/i5/i7 processors



Main Features

- Intel® Celeron® 847E, Dual Core 1.1GHz
- Max. 16GB RAM supported
- Dual display of HDMI and VGA
- 2 x 2.5" SATA HDD with service door
- 2 x Intel® Gigabit Ethernet
- 4 x USB 2.0
- 1 x mini-PCIe slot
- 4 x 10/100/1000 PoE, 15.4W per port

Product Overview

The NVR NViS 1204 is equipped with Intel® Celeron® 847E, Dual Core 1.1GHz Processor, which supports up to 16GB DDR3 1066/1333 memory, along with integrated graphics controller, Intel® HD Graphic for large display application. Moreover, NViS 1204 provides high quality digital recording, real-time display and supports a wide range of megapixel IP cameras. In addition, NViS 1204 supports a wide variety of display I/O configurations, including HDMI, VGA, two Intel® GbE ports, four USB 2.0, audio interfaces and four channels GbE PoE.

Specifications

CPU

- Intel® Celeron® 847E Processor

Memory

- Dual channel DDR3 1066/1333MHz SDRAM, max. 16GB

Platform Control Hub

- Intel® HM65

I/O Interface-Front

- 1 x Power indicator LED
- 1 x HDD indicator LED

I/O Interface-Rear

- 2 x Gigabit Internet ports
- 4 x USB 2.0 ports
- 1 x HDMI
- 1 x VGA
- 1 x Mic-in/Line-out
- 1 x Power on/ off switch
- 4 x Gigabit PoE (IEEE 802.3af supported), 15.4W per port

Expansions

- 1 x mini-PCIe slot

Storage

- 2 x 2.5" SATA hard drive bay with service door on the backside to replace HDD

Power Input

- 120W power adapter with 24V DC input (power cord optional)

Dimensions

- 310mm (W) x 44mm (H) x 196mm (D)

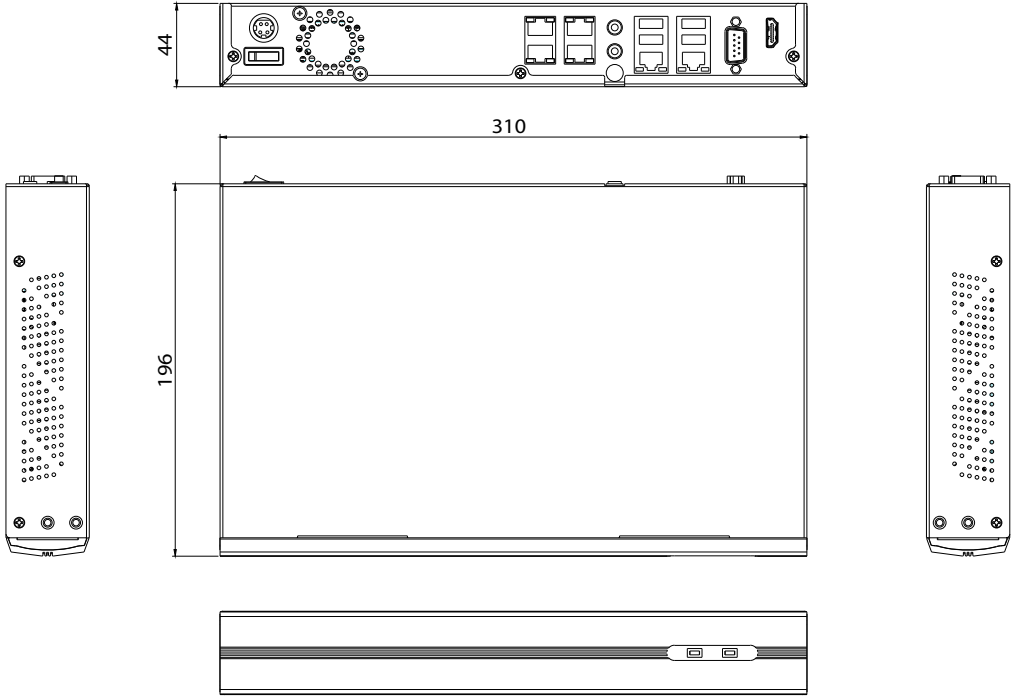
Environment

- Operating temperature:
Ambient with air flow: 0°C ~ 40°C
- Storage temperature: -20°C ~ 70°C
- Relative humidity: 10% ~ 90% (non-condensing)

Certifications

- CE approval
- FCC Class A

Dimension Drawing



Ordering Information

- **NViS 1204 (P/N: 10C00120400X0)**
Slim NVR with 4 port built-in PoE



Main Features

- Intel® Celeron® 847E, Dual Core 1.1GHz
- Max. 16GB RAM supported
- Dual display of HDMI and VGA
- 2 x 2.5" SATA HDD with service door
- 2 x Intel® Gigabit Ethernet
- 4 x USB 2.0
- 1 x mini-PCIe slot
- 8 x 10/100/1000 PoE, 15.4W per port

Product Overview

The NVR NViS 1208 is equipped with Intel® Celeron® 847E, Dual Core 1.1GHz Processor, which supports up to 16GB DDR3 1066/1333 memory, along with integrated graphics controller, Intel® HD Graphic for large display application. Moreover, NViS 1208 provides high quality digital recording, real-time display and supports a wide range of megapixel IP cameras. In addition, NViS 1208 supports a wide variety of display I/O configurations, including HDMI, VGA, two Intel® GbE ports, four USB 2.0 audio interfaces, eight channels GbE PoE.

Specifications

CPU

- Intel® Celeron® 847E Processor, Dual Core 1.1GHz

Memory

- Dual channel DDR3 1066/1333MHz SDRAM, max. 16GB

Platform Control Hub

- Intel® HM65

I/O Interface-Front

- 1 x Power indicator LED
- 1 x HDD indicator LED

I/O Interface-Rear

- 2 x Gigabit Internet ports
- 4 x USB 2.0 ports
- 1 x HDMI
- 1 x VGA
- 1 x Mic-in/Line-out
- 1 x Power on/ off switch
- 1 x DC-In
- 8 x Gigabit PoE (IEEE 802.3af supported), 15.4W per port

Expansions

- 1 x mini-PCIe slot

Storage

- 2 x 2.5" SATA hard drive bay with service door on the backside to replace HDD

Power Input

- 180W power adapter with 24V DC input (power cord optional)

Dimensions

- 310mm (W) x 44mm (H) x 196mm (D)

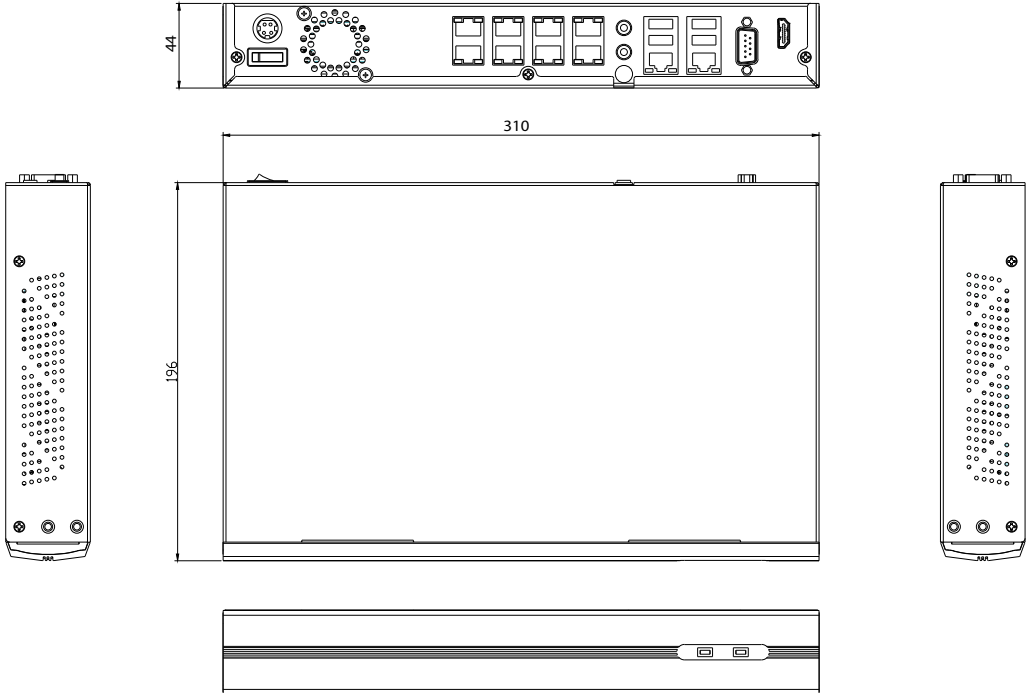
Environment

- Operating temperature:
Ambient with air flow: 0°C ~ 40°C
- Storage temperature: -20°C ~ 70°C
- Relative humidity: 10% ~ 90% (non-condensing)

Certifications

- CE approval
- FCC Class A

Dimension Drawing



Ordering Information

- **NViS 1208 (P/N: 10C00120800X0)**
Slim NVR with 8 port built-in PoE



Main Features

- Intel® Core™ i3-2340UE, Dual Core, 1.3 GHz
- Max. 16GB RAM supported
- Dual display of HDMI and VGA
- 2 x 2.5" SATA HDD with service door
- 2 x Intel® Gigabit Ethernet
- 4 x USB 2.0
- 1 x mini-PCIe slot
- 8 x 10/100/1000 PoE, 15.4W per port

Product Overview

The NVR NViS 1328 is equipped with Intel® Core™ i3-2340UE, dual Core, 1.3 GHz Processor, which supports up to 16GB DDR3 1066/1333 memory, along with integrated graphics controller, Intel® HD Graphic for large display application. Moreover, NViS 1328 provides high quality digital recording, real-time display and supports a wide range of megapixel IP cameras. In addition, NViS 1328 supports a wide variety of display I/O configurations, including HDMI, VGA, two Intel® GbE ports, four USB 2.0, audio interfaces, eight channels GbE PoE.

Specifications

CPU

- Intel® Core™ i3-2340UE, dual Core, 1.3 GHz

Memory

- Dual channel DDR3 1066/1333MHz SDRAM, max. 16GB

Platform Control Hub

- Intel® HM65

I/O Interface-Front

- 1 x Power indicator LED
- 1 x HDD indicator LED
- I/O Interface-Rear
- 2 x Gigabit Internet ports
- 4 x USB 2.0 ports
- 1 x HDMI
- 1 x VGA
- 1 x Mic-in/Line-out
- 1 x Power on/ off switch
- 1 x DC-In
- 8 x Gigabit PoE (IEEE 802.3af supported), 15.4W per port

Expansions

- 1 x mini-PCIe slot

Storage

- 2 x 2.5" SATA hard drive bay with service door on the backside to replace HDD

Power Input

- 180W power adapter with 24V DC input (power cord optional)

Dimensions

- 310mm (W) x 44mm (H) x 196mm (D)

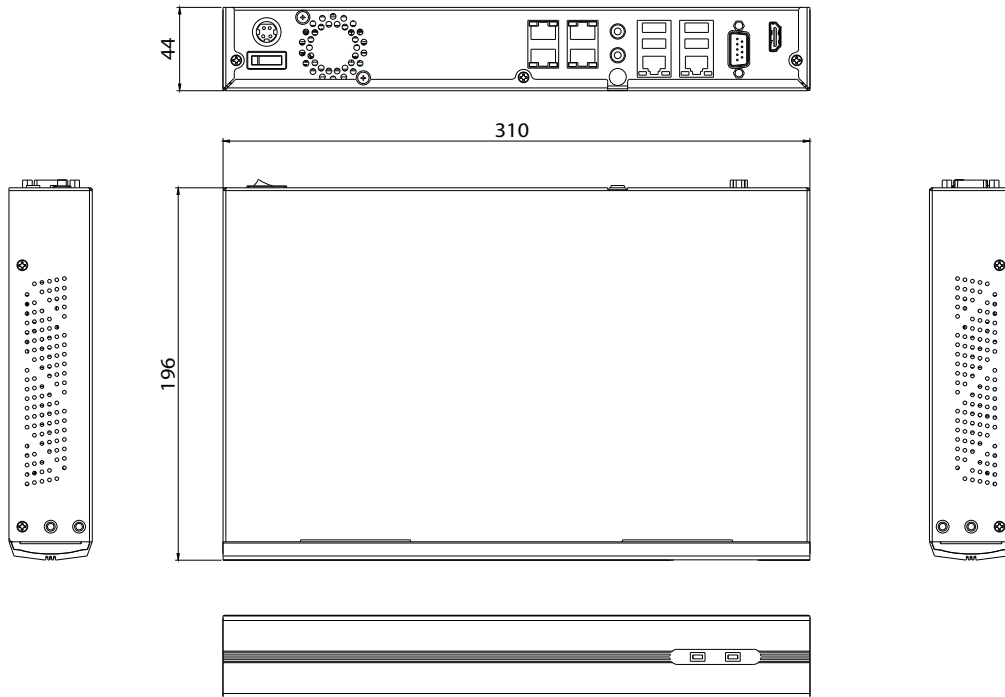
Environment

- Operating Temperature:
Ambient with air flow: 0°C ~ 40°C
- Storage temperature: -20°C ~ 70°C
- Relative humidity: 10% ~ 90% (non-condensing)

Certifications

- CE approval
- FCC Class A

Dimension Drawing



Ordering Information

- ◆ **NViS 1328 (P/N: 10C00132800X0)**
Slim NVR with 8 port built-in PoE

Headquarters

NEXCOM International Co., Ltd.

9F, No.920, Chung-Cheng Rd., ZhongHe District, New Taipei City, 23586, Taiwan, R.O.C.
Tel: +886-2-8226-7786
Fax: +886-2-8226-7782
www.nexcom.com

America

USA

NEXCOM USA

2883 Bayview Drive,
Fremont CA 94538, USA
Tel: +1-510-656-2248
Fax: +1-510-656-2158
Email: sales@nexcom.com
www.nexcom.com

Asia

Taiwan

NEXCOM Intelligent Systems

Taipei Office

13F, No.920, Chung-Cheng Rd.,
ZhongHe District,
New Taipei City, 23586, Taiwan, R.O.C.
Tel: +886-2-8226-7796
Fax: +886-2-8226-7792
Email: sales@nexcom.com.tw
www.nexcom.com.tw

NEXCOM Intelligent Systems

Taichung Office

16F, No.250, Sec. 2, Chongde Rd.,
Beitun Dist.,
Taichung City 406, R.O.C.
Tel: +886-4-2249-1179
Fax: +886-4-2249-1172
Email: sales@nexcom.com.tw
www.nexcom.com.tw

Japan

NEXCOM Japan

9F, Tamachi Hara Bldg.,
4-11-5, Shiba Minato-ku,
Tokyo, 108-0014, Japan
Tel: +81-3-5419-7830
Fax: +81-3-5419-7832
Email: sales@nexcom-jp.com
www.nexcom-jp.com

China

NEXCOM China

1F & 2F, Block A, No.16 Yonyou Software Park,
No.68 Beiqing Road, Haidian District,
Beijing, 100094, China
Tel: +86-10-5704-2680
Fax: +86-10-5704-2681
Email: sales@nexcom.cn
www.nexcom.cn

Chengdu Office

9F, Shuxiangxie, Xuefu Garden,
No.12 Section 1, South Yihuan Rd.,
Chengdu, 610061, China
Tel: +86-28-8523-0186
Fax: +86-28-8523-0186
Email: sales@nexcom.cn
www.nexcom.cn

Shanghai Office

Room 603/604, Huiyinmingzun Plaza Bldg. 1,
No.609 Yunlin East Rd.,
Shanghai, 200333, China
Tel: +86-21-5278-5868
Fax: +86-21-3251-6358
Email: sales@nexcom.cn
www.nexcom.cn

Shenzhen Office

Room1707, North Block, Pines Bldg.,
No.7 Tairan Rd., Futian Area,
Shenzhen, 518040, China
Tel: +86-755-8332 7203
Fax: +86-755-8332 7213
Email: sales@nexcom.cn
www.nexcom.cn

Wuhan Office

1-C1804/1805, Mingze Liwan, No.519
South Luoshi Rd., Hongshan District,
Wuhan, 430070, China
Tel: +86-27-8722-7400
Fax: +86-27-8722-7400
Email: sales@nexcom.cn
www.nexcom.cn

Europe

United Kingdom

NEXCOM EUROPE

10 Vincent Avenue,
Crownhill Business Centre,
Milton Keynes, Buckinghamshire
MK8 0AB, United Kingdom
Tel: +44-1908-267121
Fax: +44-1908-262042
Email: sales.uk@nexcom.eu
www.nexcom.eu

Italy

NEXCOM ITALIA S.r.l

Via Gaudenzio Ferrari 29,
21047 Saronno (VA), Italia
Tel: +39 02 9628 0333
Fax: +39 02 9625570
Email: nexcomitalia@nexcom.eu
www.nexcomitalia.it



The Intelligent Systems

Please verify specifications before quoting. This guide is intended for reference purpose only.

All product specifications and information are subject to change without notice.

No part of this publication may be reproduced in any form or by any means without prior written permission of the publisher.

All brand and product names are registered trademarks of their respective companies.

©NEXCOM International Co., Ltd. 2015